

## YD40K275~480DH2 Series

Used for LPZ1 ~ LPZ2 zone 230 V power distribution system of Class II (Type II) surge protection.

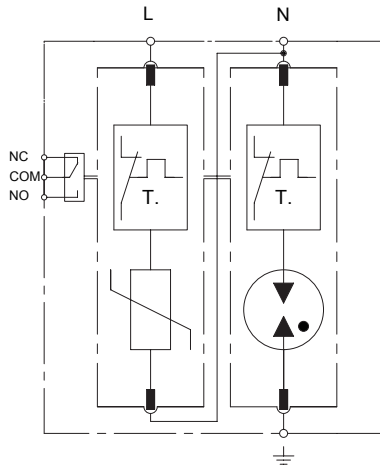
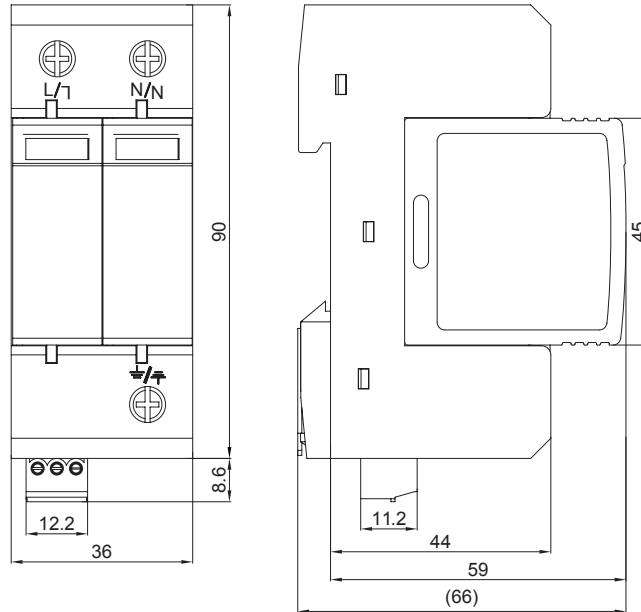


### Features

- Special non-destructive screening technology
- Special zinc oxide varistor combination technology
- Reliable thermo disconnect technology
- GDT disconnecter patent technology
- Effectively break the flow follow current of GDT
- High discharge capacity
- response quickly
- Visual and remote status indication
- Consisting of a base part and plug-in protection module

### Standards and Certificates

- IEC 61643-1/-11
- EN 61643-11/A 11: 2007
- GB 18802.1-2011
- YD/T 1235.2-2002
  
- CE
- TUV
- RoHS compliant
- Housing FRNC-UL94 V-0



Type	YD40K275DH2	YD40K320DH2	YD40K385DH2	YD40K480DH2
Ordering Code	2160 2161	2160 2162	2160 2163	2160 2164

## Electrical

Tested to IEC 61643-1/-11	Class II	Class II	Class II	Class II
Max. Continuous Operating Voltage (L-N) $U_c$	275 V	320 V	385 V	480 V
Max. Continuous Operating Voltage (N-PE) $U_c$	255 V	255 V	255 V	255 V
Nominal Voltage $U_N$	230 V	230 V	230 V	230 V
Nominal Discharge Current (8/20 $\mu$ s) $I_n$	20 kA	20 kA	20 kA	20 kA
Max. Discharge Current (8/20 $\mu$ s) $I_{max}$	40 kA	40 kA	40 kA	40 kA
Voltage Protection Level (L-N) $U_p$	1.4 kV	1.5 kV	1.8 kV	2.2 kV
Voltage Protection Level (N-PE) $U_p$	1.5 kV	1.5 kV	1.5 kV	1.5 kV
Voltage Protection Level at 3 kA (8/20 $\mu$ s) (L-N) $U_{res}$	1.0 kV	1.1 kV	1.2 kV	1.5 kV
Voltage Protection Level at 3 kA (8/20 $\mu$ s) (N-PE) $U_{res}$	0.5 kV	0.5 kV	0.5 kV	0.5 kV
Follow Current Extinguishing Capability (N-PE) $I_{fi}$	100 A <sub>rms</sub>			
Response Time (L-N) $t_A$	$\leq 25$ ns			
Response Time (N-PE) $t_A$	$\leq 100$ ns			
Max. Mains-side Overcurrent Protection	125 A gL/gG			
Short-circuit Withstand Current	25 kA <sub>rms</sub>			
TOV Characteristics	L-N Withstand / N-PE Failure			
Temporary Voltage (TOV) (L-N) $U_T$	334 V / 5 sec.	334 V / 5 sec.	440 V / 5 sec.	550 V / 5 sec.
Temporary Voltage (TOV) (N-PE) $U_T$	1200 V / 200 ms			
Operating State/Fault Indication	Green/Red			
Type of Remote Signaling Contact	Changedover contact			
Switching Capacity	250 Vac / 0.5 A; 125 Vdc / 0.2 A			

## Mechanical

Location Category	Indoor
For Mounting on	35 mm DIN Rail
Dimension	36 mm x 90 mm x 66 mm
Cross-sectional Area	1.5 mm <sup>2</sup> - 25 mm <sup>2</sup> Solid/Flexible
Cross-sectional Area for Remote Signaling Terminals	Max. 1.5 mm <sup>2</sup> Solid/Flexible

## Environmental

Operational Environment	Operating temperature -40°C...+80°C, Relative humidity $\leq 95\%$ , Altitude $\leq 3000$ m
Degree of Protection	IP 20
Enclosure Material	Thermoplastic (Extinguishing degree UL 94 V-0)