

Yuasa UXH Series VRLA Battery, 10 Years Design Life

Yuasa UXH batteries are constructed to yield even greater capacity than comparable batteries. The UXH uses AGM technology which ensures that there is no 'free acid' in the battery. This allows the battery to be mounted either vertically or horizontally. An additional feature of this product is Yuasa's heavy duty lead calcium-tin alloy, providing the UXH battery the ability to remain in float service for 10 years.

- 10 Year Design Life
- High Energy Density
- Gas Pressure Venting System
- No Equalising Charge Required

General Performance

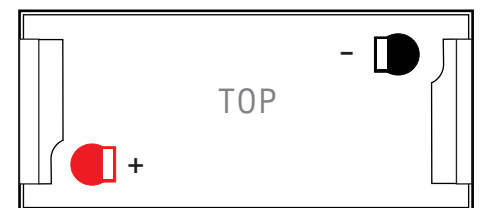
Battery	UXH200-6N	
Application	Floating/Standby	
Design Life	10 Years	
Nominal Capacity	200Ah	
Actual Capacity at 25°C	1 hour rate to 1.70 Vpc	116Ah
	3 hour rate to 1.80 Vpc	150Ah
	10 hour rate to 1.80 Vpc	186Ah
	20 hour rate to 1.80 Vpc	200Ah

Electrolyte

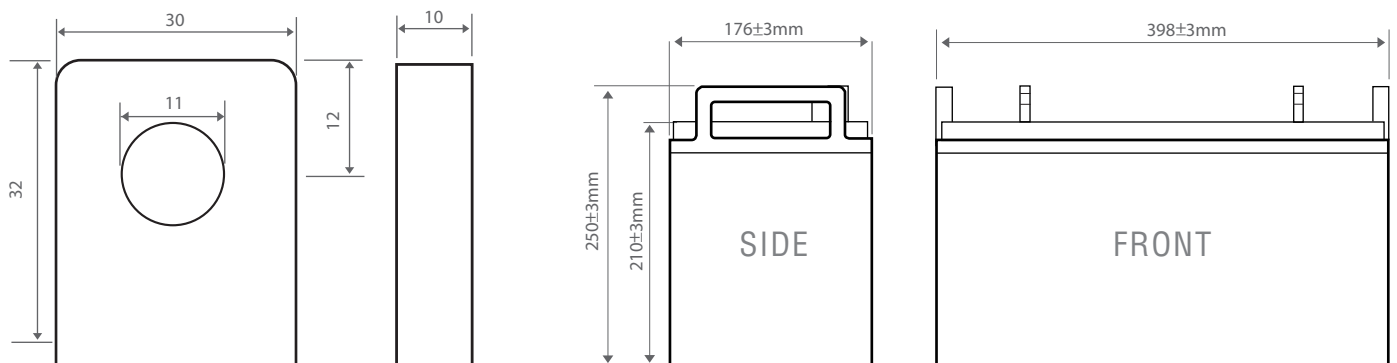
Fully charge density at 25°C	1.300
Density Range	1.290-1.320
Gelled/Absorbed	Absorbed
Mounting Orientation	Vertical/Horizontal

Plates

Positive Plates:	
Number/cell	14
Type	Flat Pasted
Material of grid	Lead-Calcium-Tin Alloy
Thickness	3.8mm
Negative Plates:	
Number/cell	15
Type	Flat Pasted
Material of grid	Lead-Calcium-Tin Alloy
Thickness	2.1mm



Terminal Type - M10



Yuasa UXH Series VRLA Battery, 10 Years Design Life

Physical Properties

Separators	
Type	Glass Mat
Is glass fibre included?	Yes
Thickness	1.5mm
Lid & Container Materials	
Lid Material, Colour	Acrylonitrile Butadiene Styrene ABS/Blue
Container Material, Colour	Acrylonitrile Butadiene Styrene ABS/Grey
Flame Retardant	No
Safety Vent Operational Pressure	20kPA
Flame Arrestor Filter Fitted	No
Dimensions:	
Overall Width	398mm ± 3
Depth	176mm ± 3
Height	216mm ± 3
Overall Height	250mm ± 3
Battery Weight (kg) Total (wet)	39kg

Electrical Properties

Self Discharge Rate @ 25°C	<3% per month		
Internal Resistance (mOHMS)	1.3mΩ		
Normal Charge (Amperes)	20A		
Max. Charge (Amperes)	40A		
Max. Sustained Current without damage (discharging)	740A~(1min)		
Volts End of Charge	2.275 Vpc		
	20°C	25°C	30°C
Float Voltage (Vpc) pure floating applications	2.290 Vpc	2.275 Vpc	2.260 Vpc
Float Current (mA)	~200mA	~200mA	~200mA
Initial Short circuit current (A)	~5200A		
<i>Efficiency at 10 hour rate (%):</i>			
Ampere-Hour	>90%		
Watt-Hour	>78%		

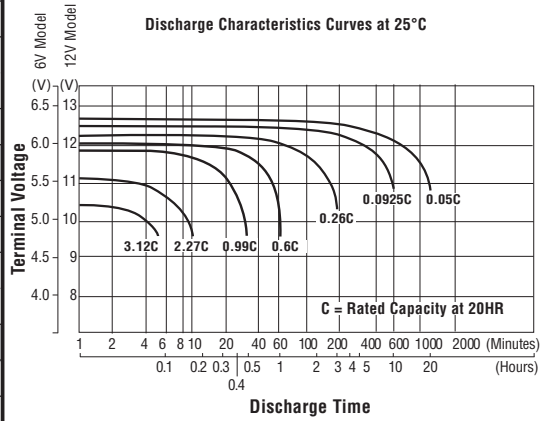
Torque Setting

Terminal Torque Setting	14.7 - 19.6 N.m.
-------------------------	------------------

Compliant Standard

Battery Standard	JIS C8704-2: 1999
------------------	-------------------

Discharge Characteristics



Charging Characteristics

