

## Yuasa UXH Series VRLA Battery, 10 Years Design Life

Yuasa UXH batteries are constructed to yield even greater capacity than comparable batteries. The UXH uses AGM technology which ensures that there is no 'free acid' in the battery. This allows the battery to be mounted either vertically or horizontally. An additional feature of this product is Yuasa's heavy duty lead calcium-tin alloy, providing the UXH battery the ability to remain in float service for 10 years.

- 10 Year Design Life
- High Energy Density
- Gas Pressure Venting System
- No Equalising Charge Required

### General Performance

|                         |                          |       |
|-------------------------|--------------------------|-------|
| Battery                 | UXH100-12N               |       |
| Application             | Floating/Standby         |       |
| Design Life             | 10 Years                 |       |
| Nominal Capacity        | 100Ah                    |       |
| Actual Capacity at 25°C | 1 hour rate to 1.70 Vpc  | 58Ah  |
|                         | 3 hour rate to 1.80 Vpc  | 75Ah  |
|                         | 10 hour rate to 1.80 Vpc | 93Ah  |
|                         | 20 hour rate to 1.80 Vpc | 100Ah |

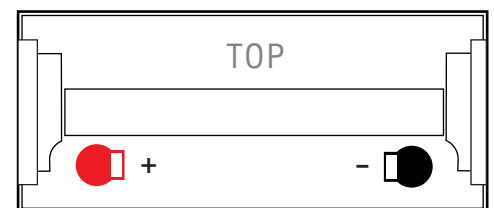


### Electrolyte

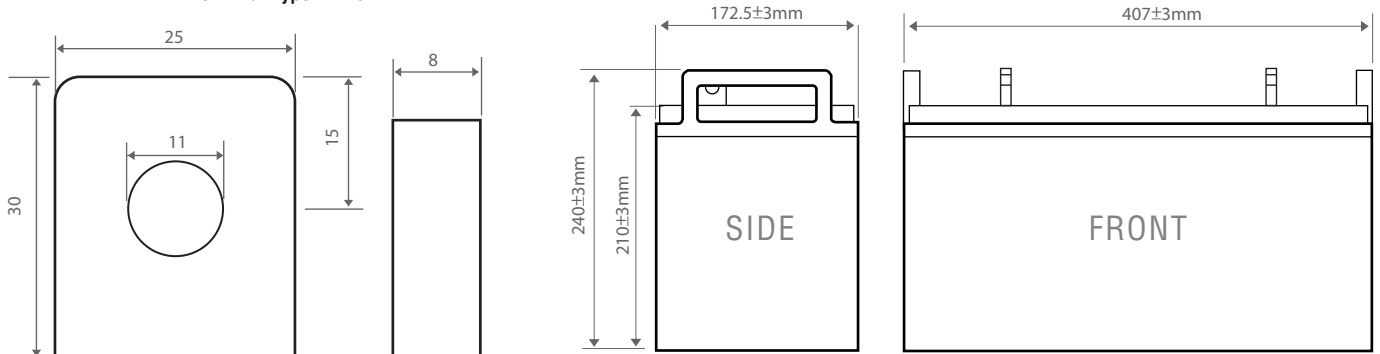
|                              |                     |
|------------------------------|---------------------|
| Fully charge density at 25°C | 1.300               |
| Density Range                | 1.290-1.310         |
| Gelled/Absorbed              | Absorbed            |
| Mounting Orientation         | Vertical/Horizontal |

### Plates

|                         |                        |
|-------------------------|------------------------|
| <b>Positive Plates:</b> |                        |
| Number/cell             | 7                      |
| Type                    | Flat Pasted            |
| Material of grid        | Lead-Calcium-Tin Alloy |
| Thickness               | 3.8mm                  |
| <b>Negative Plates:</b> |                        |
| Number/cell             | 8                      |
| Type                    | Flat Pasted            |
| Material of grid        | Lead-Calcium-Tin Alloy |
| Thickness               | 2.1mm                  |



Terminal Type - M10



**Yuasa UXH Series VRLA Battery, 10 Years Design Life**

## Physical Properties

| Separators                             |  |
|--|--|
| Type                                   | Glass Mat                                |
| Is glass fibre included?               | Yes                                      |
| Thickness                              | 1.5mm                                    |
| Lid & Container Materials              |  |
| Lid Material, Colour                   | Acrylonitrile Butadiene Styrene ABS/Blue |
| Container Material, Colour             | Acrylonitrile Butadiene Styrene ABS/Grey |
| Flame Retardant                        | No                                       |
| Safety Vent Operational Pressure       | 20kPA                                    |
| Flame Arrestor Filter Fitted           | No                                       |
| Dimensions:                            |  |
| Overall Width                          | 407mm ± 3                                |
| Depth                                  | 172.5mm ± 3                              |
| Height                                 | 210mm ± 3                                |
| Overall Height                         | 240mm ± 3                                |
| <b>Battery Weight (kg) Total (wet)</b> | <b>40kg</b>                              |

## Electrical Properties

|   |               |             |             |
|---|---------------|-------------|-------------|
| Self Discharge Rate @ 25°C                          | <3% per month |             |             |
| Internal Resistance (mOHMS)                         | 3.5mΩ         |             |             |
| Normal Charge (Amperes)                             | 10A           |             |             |
| Max. Charge (Amperes)                               | 20A           |             |             |
| Max. Sustained Current without damage (discharging) | 370A (1min)   |             |             |
| Volts End of Charge                                 | 2.275 Vpc     |             |             |
|   | <b>20°C</b>   | <b>25°C</b> | <b>30°C</b> |
| Float Voltage (Vpc)<br>pure floating applications   | 2.290 Vpc     | 2.275 Vpc   | 2.260 Vpc   |
| Float Current (mA)                                  | ~100mA        | ~100mA      | ~100mA      |
| Initial Short circuit current (A)                   | ~3700A        |             |             |
| Efficiency at 10 hour rate (%):                     |               |             |             |
| Ampere-Hour   | >90%          |             |             |
| Watt-Hour   | >78%          |             |             |

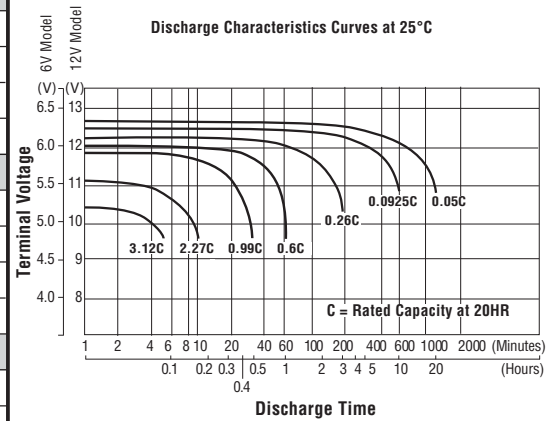
## Torque Setting

|                         |                  |
|-------------------------|------------------|
| Terminal Torque Setting | 14.7 - 19.6 N.m. |
|-------------------------|------------------|

## Compliant Standard

|                  |                   |
|------------------|-------------------|
| Battery Standard | JIS C8704-2: 1999 |
|------------------|-------------------|

## Discharge Characteristics



## Charging Characteristics

