

SWS600L / 1000L SERIES

AC / DC Single Output: 600 ~ 1000 Watts



Features

- Universal input 85 - 265VAC
- New "low profile" 61mm, 600 and 1000W models
- Output voltage adjustment –Front Panel Trim pot
- Output voltage External Control -20% to +110%
- Short circuit and OVP protection
- Harmonic correction EN61000-3-2
- Power Factor 0.95
- EMC EN55022, Immunity to EN61000-4
- International safety approvals EN60950, UL60950
- Some modes suitable for **Battery Charging**
- Medical approvals (SWS1000L)
- Parallel operation and Remote ON /OFF

General Specifications

| | |
|------------------------------------|--|
| Input Voltage | 85 ~ 264VAC / 120 ~ 350VDC |
| Frequency | 47 ~ 63Hz |
| Efficiency | Model dependent 74 ~ 86% |
| Input Current | SWS600L: 7.1A / 3.6A (115 / 230V) SWS1000L: 12A / 6A (115 / 230V) |
| Harmonics | EN61000-3-2 |
| Power Factor | 0.95 |
| Output voltage | 3.3 ~ 60dc options |
| Output Power | 600 ~ 1000 watts |
| Voltage adjustment | Typically ±10% by on-board trim pot. (refer to table) |
| Ripple & Noise | Model dependent 160 ~ 240mV |
| Line Regulation | Model dependent typically 0.6% |
| Load Regulation | Model dependent typically 0.4% |
| Temp Coefficient | Less than 0.02% per °C |
| Overload Protection | Constant current limiting with auto recovery, set at approx 110% of rated output |
| Overvoltage Protection | Yes, OVP will shutdown output, manual reset by recycling AC input power after approx 2m |
| Over Temperature Protection | Yes, OTP will shutdown output, manual reset by recycling AC input power after approx 2m |
| Hold-up Time | Typically 20ms at nominal input voltage |

| | |
|------------------------------|---|
| Leakage Current | SWS600L: < 0.5mA at 230VAC SWS1000L: < 0.2mA at 230VAC |
| Remote sense | Yes (refer to manual) |
| Remote ON/OFF | Yes (refer to manual) |
| Monitoring Signal | ALM (Open Collector Output) refer to manual |
| Parallel Operation | YES, with power share |
| Series Operation | YES |
| EMI | EN55011 & EN55022-B |
| Immunity | EN61000-4-2 |
| Safety | EN60950-1, UL60601-1 (SWS1000L), EN50178 |
| Isolation | Input-Output: 3000VAC Output –Ground: 500VAC Input-Ground: 2000VAC |
| Operating Temp | -20°C to +50°C at 100% load, 50% at 74°C -40°C start up. |
| Humidity | 20-90% RH (No dewdrop) |
| Cooling | Built-in fan |
| Shock & Vibration | Designed to meet MIL-STD-810F 514.5 Cat 4,10 |
| Connector | Screw terminals |
| Dimensions | SWS600L: 221 x 120 x 61mm 1.6kg SWS1000L: 280 x 150 x 61mm 2.3kg (Includes extending terminals) |

| Model | Output | | Voltage Range | Power W |
|------------|--------|-----------|---------------|---------|
| | V | A | | |
| SWS600L-3 | 3.0V | 120A | 2.64 ~3.96V | 396W |
| SWS600L-5 | 5.0V | 120A | 4.0 ~ 6.0V | 600W |
| SWS600L-12 | 12V | 53A | 9.6 ~14.4V | 600W |
| SWS600L-15 | 15V | 43A | 12.0 ~19.0V | 645W |
| SWS600L-24 | 24V | 27A (31A) | 19.2~ 28.8V | 648W |
| SWS600L-36 | 36V | 18A | 28.8 ~ 43.2V | 648W |
| SWS600L-48 | 48V | 13A (15A) | 38.4 ~ 56V | 624W |
| SWS600L-60 | 60V | 10A | 48 ~ 66V | 600W |

• Figures in brackets @ 230VAC input peak A 10 sec

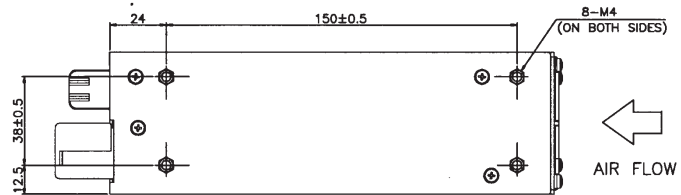
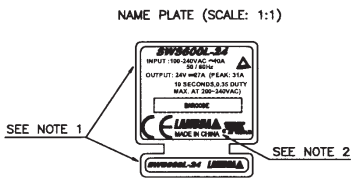
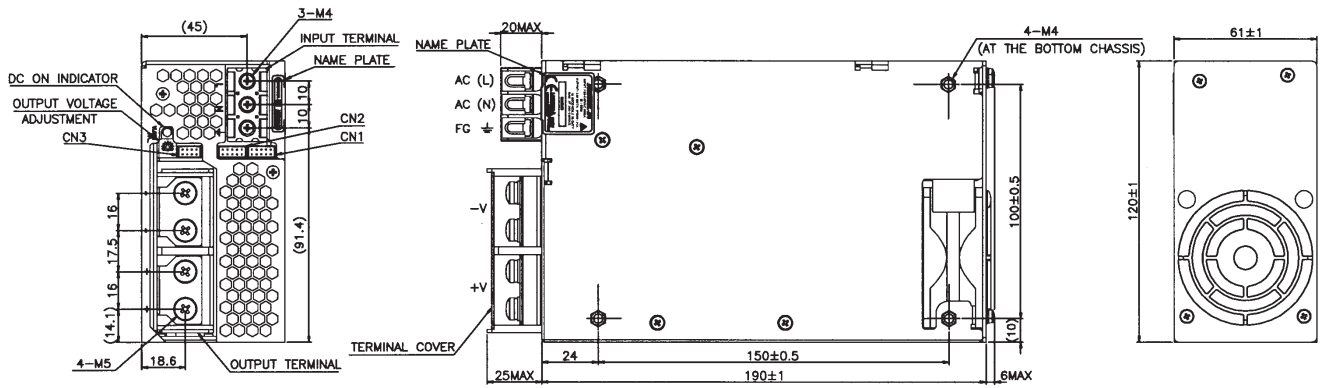
| Model | Output | | Voltage Range | Power W |
|-------------|--------|-----------|---------------|---------|
| | V | A | | |
| SWS1000L-3 | 3.0V | 200A | 2.64 ~3.96V | 660W |
| SWS1000L-5 | 5.0V | 200A | 4.0 ~ 6.0V | 1000W |
| SWS1000L-12 | 12V | 88A | 9.6 ~14.4V | 1056W |
| SWS1000L-15 | 15V | 70A | 12.0 ~19.0V | 1050W |
| SWS1000L-24 | 24V | 44A (51A) | 19.2~ 28.8V | 1056W |
| SWS1000L-36 | 36V | 29A | 28.8 ~ 43.2V | 1044W |
| SWS1000L-48 | 48V | 22A (25A) | 38.4 ~ 56V | 1056W |
| SWS1000L-60 | 60V | 17A | 48 ~ 66V | 1020W |

• Figures in brackets @ 230VAC input peak A 10 sec.

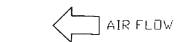
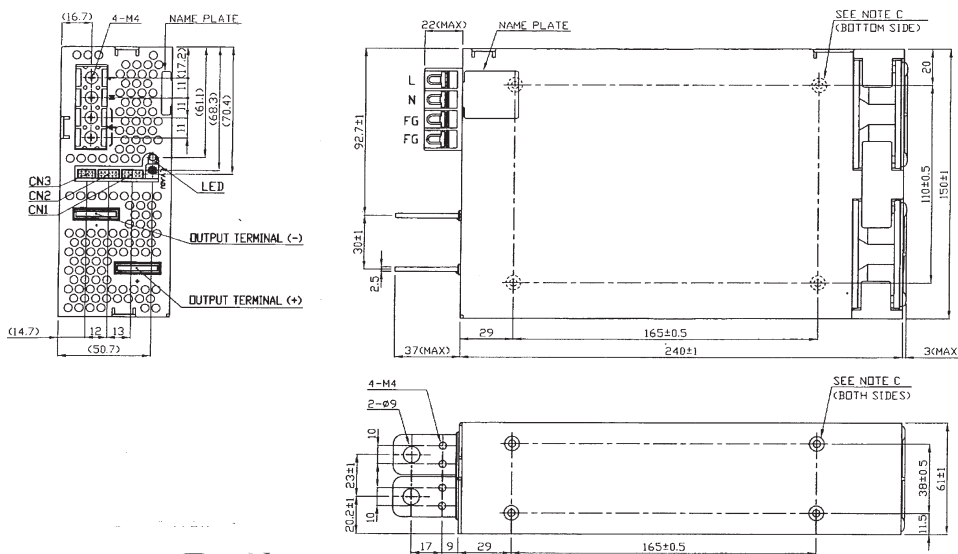
SWS600L / 1000L SERIES

AC / DC Single Output: 600 ~ 1000 Watts

SWS600L



SWS1000L



SIGNAL CONNECTOR INFORMATION

