

◆ 24 Month Warranty

2 x SR250C or SR250i shown



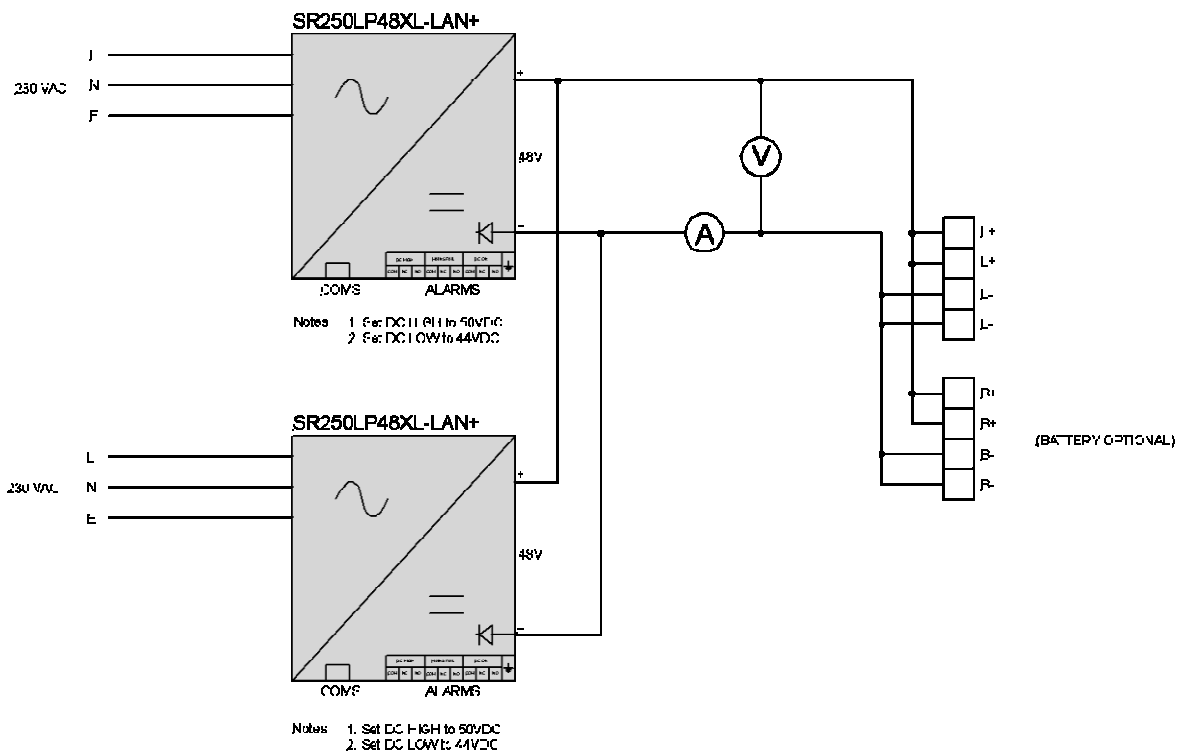
Features:

- ◆ 1+1 redundancy
- ◆ accepts any SR250... model of charger/PSU
- ◆ front removable, hot swappable
- ◆ convection cooled for 24V and higher
- ◆ option - low voltage disconnect for SR...P models
- ◆ option—digital V/I meter
- ◆ Dimensions: 2U x 19" rack mount, depth 340mm

Typical Model Codes:

- ◆ CAB 237, CAB558, CAB577
- ◆ CAB 383, CAB389, CAB569
- ◆ CAB 593, CAB568, CAB565

Typical Connections:



Note: 12V models have diode external to PSU/charger