

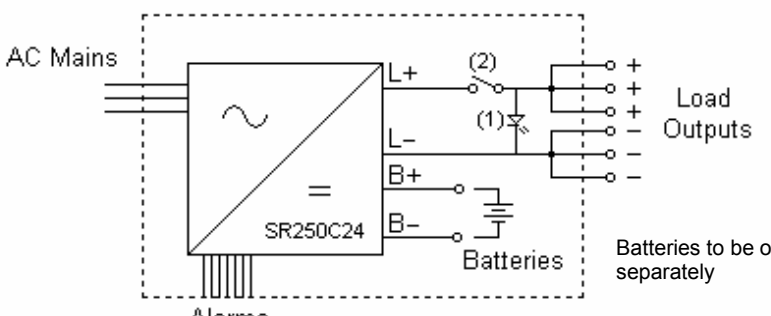
SN27/10SA shown, includes distribution terminals

- SR250C power supply in wall mount enclosure
- Refer to power supply data sheets for full specifications
- 3 sets load output terminals
- Room for 4 x 7Ah or 2 x 12Ah sealed lead acid batteries
- Lockable enclosure
- ISO9001 certified quality management system
- Batteries supplied separately

◆ 24 Month Warranty

SPECIFICATIONS All specifications are typical at nominal input, full load and at 20°C unless otherwise stated.

ELECTRICAL		PHYSICAL	
Input	180~264VAC, 200~375VDC 80~132VAC (optional)	AC Input connector	1.5m long with Australasian 3 pin plug
Fusing / Protection	Internal input fuse	DC Connections	Screw type terminal block
Isolation	1KV DC input - output / earth	Enclosure	White powder coated steel enclosure with lockable door (lock & 2 keys included)
Output Power	250W	Indicators & control	Power supply dependent
Output Voltage	13.8, 27.6, 41.4, 55.2V	Alarm outputs	Power supply dependent
		Dimensions (mm)	335Hx 313W x 133 D
		Weight (approx)	5.3 kg excluding batteries

TYPICAL CONNECTION DIAGRAM	ADDITIONAL NOTES
 <p>Batteries to be ordered separately</p> <p>(1) DC available LED (2) DC isolate switch</p>	<p>The models listed below use the SR250... <i>No-Break</i>TM DC power supplies but any SR250 unit may be fitted into this enclosure.</p> <p>Enclosure only: RMWCASECU/1 +Cam lock RHWCAMINTKX1</p>

TYPICAL MODEL TABLE					
CODES	DC Output				Power Supply Used
	Output Voltage Load	Output Voltage Charger	Peak Load Current	PSU Rated Current	
SN27/10SA	27.6V	27.6V	13A	9.0A	SR250C24TXL
SN12/20S	13.8V	13.8V	27A	18A	SR250C12TFSL