

FUNCTION

For use as decoupling / redundancy diodes on the output of DC power supplies and chargers

UNENCLOSED MODELS

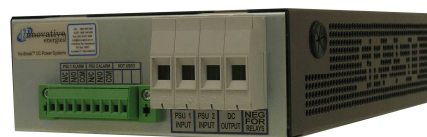
| CODE | A | V _{max} | Heatsink (LxW) | Comments |
|--------|-----|------------------|----------------|-----------------------------------------------|
| P15/xx | 15 | xx | 75 x 135mm | With DC OK alarm, xx = 12, 24,30,36, 48, 110V |
| P50S | 50 | 60 | 115 x 135mm | Unenclosed heatsink assembly |
| P50S/1 | 30 | 60 | 75 x 135mm | Unenclosed heatsink assembly |
| P50HV | 50 | 200 | 115 x 135mm | Unenclosed heatsink assembly |
| P95C | 95 | 200 | 300 x 103mm | Unenclosed heatsink assembly |
| P100 | 100 | 200 | 300 x 103mm | Unenclosed heatsink assembly |

ENCLOSED MODELS

| | | | | |
|----------------|--------|-----|----------------|-------------------------------------------------------------|
| DV-RDM20 | 20 | 30 | DIN rail mount | 2 x 24VDC inputs with DC OK indicators and alarms |
| P50S/ALONE | 50 | 60 | Wall mount | 147W x 177D x 62H mm |
| P50S/ALONE-110 | 50 +50 | 200 | Wall mount | No alarms, 150W x 242D x 62H mm |
| P100S/ALONE-12 | 50 +50 | 60 | Wall mount | For redundancy, 2 x 12VDC fail alarms, 150W x 242D x 62H mm |
| P100S/ALONE-24 | 50 +50 | 60 | Wall mount | For redundancy, 2 x 24VDC fail alarms, 150W x 242D x 62H mm |
| P100S/ALONE-48 | 50 +50 | 80 | Wall mount | For redundancy, 2 x 48VDC fail alarms, 150W x 242D x 62H mm |



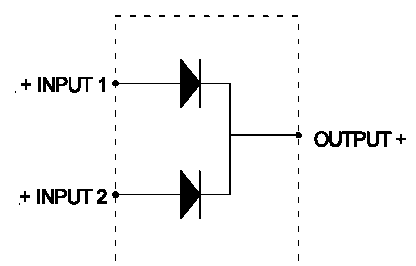
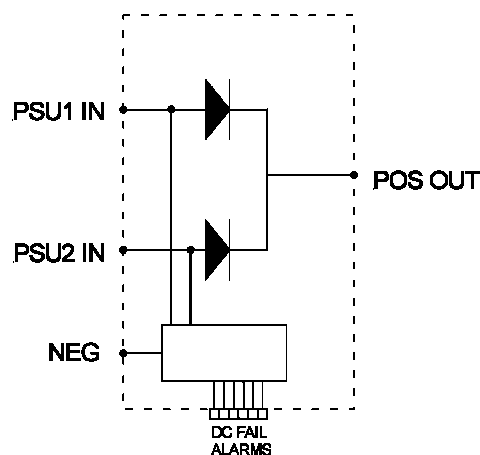
P50S/ALONE



P100S/ALONE-xx
(with alarms)



P50S/ALONE-110



16/09/2016