

IP66 Rated Power Supply Solutions

Size D1, up to 200W



Innovative Energies offers a broad selection of heavy-duty power conversion products packaged in rugged, watertight diecast aluminum IP66 enclosures. The enclosures provide protection from the ingress of sand, dust, oil, salt, fog, insects and other environmental contaminants. They comply with most fire resistance standards and with ATEX directives.

Output power

The D1 size IP66 enclosure accommodates any DC or AC input power converter, with power ratings up to 200W.

Typical designs

Designs available in the D1 size enclosures include the RWY 100, RWY 200, DCW 30, DCW 100, DCW 150, MIW 100, MIW 150 and many others.

Cooling

Cooling by internal conduction to the walls of the IP66 enclosure and by surface convection enables operation within a -25°C to +55°C temperature range for full specification. Installing the unit on a heatsinking surface significantly improves cooling and achieves higher output power.

Ruggedizing

Heavy ruggedizing is available for increased immunity to high levels of shock and vibration. Conformal coating is standard for the internal boards.

Connectors

Options available include sealed circular connectors, cable glands or custom.

Mounting

By mounting flanges

Weight

D1: approx. 2.4 kg (5.3 lb)
Weight includes internal module

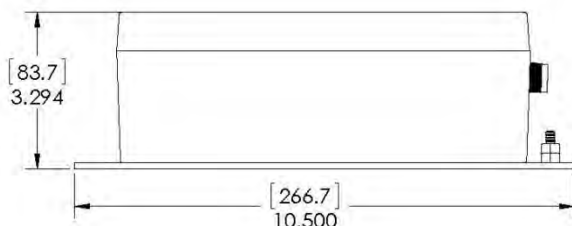
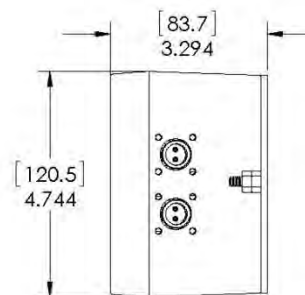
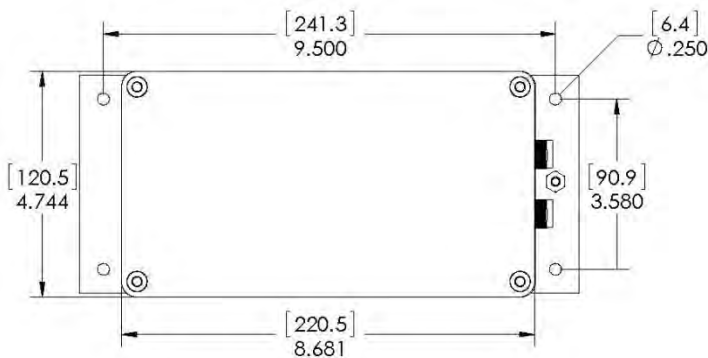
Enhancements to specifications are also available.



D1M version (IP66)
Sealed circular connectors



D1G version (IP66)
Sealed cable glands.



Outline drawing with dimensions

Innovative Energies offers a broad selection of heavy-duty power conversion products packaged in rugged, watertight diecast aluminum IP66 enclosures. The enclosures provide protection from the ingress of sand, dust, oil, salt, fog, insects and other environmental contaminants. They comply with most fire resistance standards and with ATEX directives.

Output power

The D3 size IP66 enclosure accommodates any DC or AC input power converter, with a typical power rating of 300W. Higher ratings up to 400W, depending on input/output combination.

Typical designs

Designs available in the D3 Size enclosures include the RWY Series, RSI 300, BAP 65, HBC 65 and many others.

Cooling

Cooling by internal conduction to the walls of the IP66 enclosure and by surface convection enables operation within a -25°C to +55°C temperature range for full specification. Installing the unit on a heatsinking surface significantly improves cooling and achieves higher output power.

Ruggedizing

Heavy ruggedizing is available for increased immunity to high levels of shock and vibration. Conformal coating is standard for the internal boards.

Connectors

Options available include sealed circular connectors, cable glands or custom.

Mounting

By mounting flanges

Weight

D3: approx. 4.6 kg (10 lb)
 Weight includes internal module (unpotted)

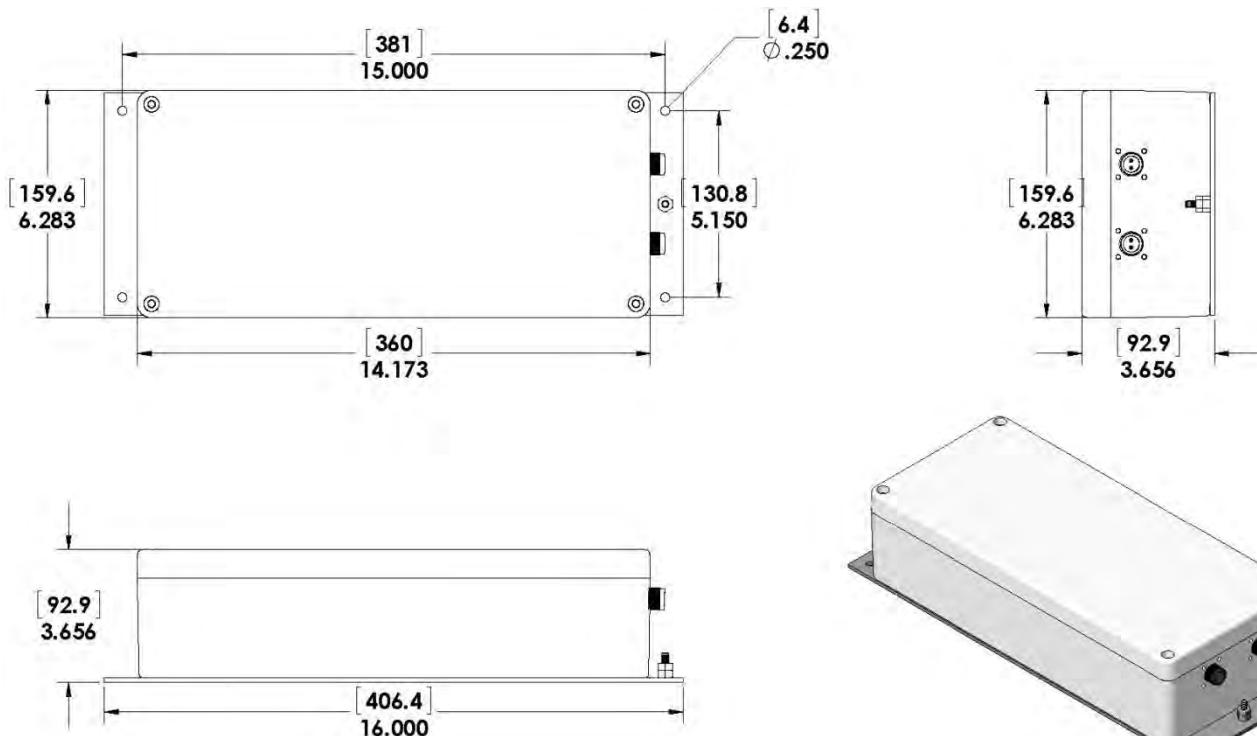
Enhancements to specifications are also available.



D3M version (IP66)
Sealed circular connectors



D3G version (IP66)
Sealed cable glands



Outline drawing with dimensions