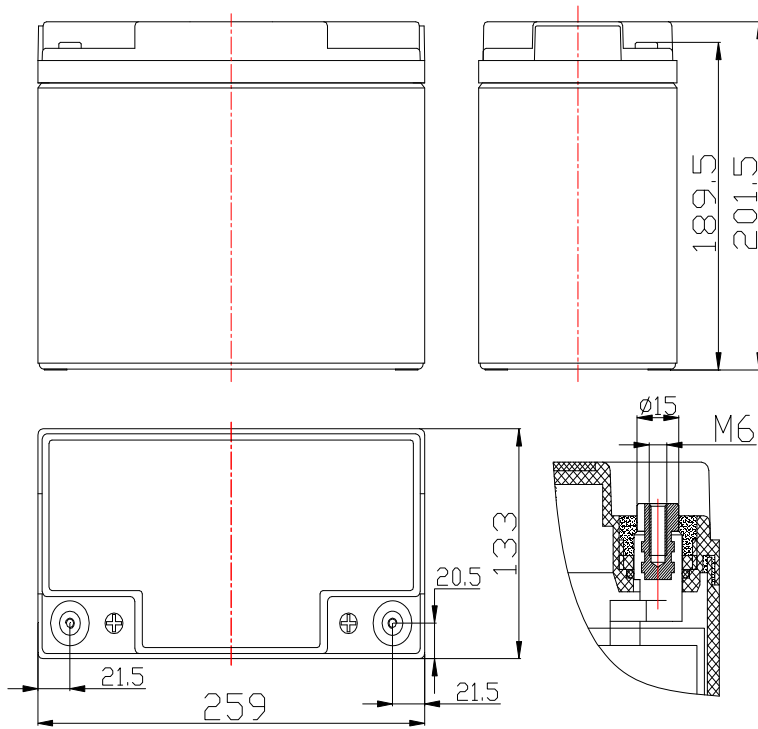
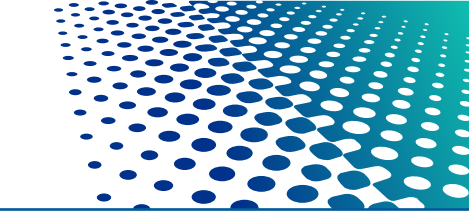


IE6-GFM-50 Series is a high -capacity battery. With easy usage and maintenance, it is intended for service in telecom system, UPS, and security system, etc.
The design life of the IE6-GFM-50 is 10 years.

IE6-GFM-50



Normal Voltage	12V
Capacity	50 Ah @ 10hr to 1.80V per cell @ 25°C
Weight	Approx. 16kg (35.2 lbs)
Internal Resistance (full charged)	Approx. 7.0m Ω @ 25°C
Maximum Discharge Current	310A (5sec)
Self Discharge @ 25°C	Less than 8 % after 90 days storage
Operating Temperature Range	Discharge: -40°C ~ 50°C Charge: -20°C ~ 45°C Storage: -20°C ~ 40°C
Recommended Operating Temperature	15°C ~ 25°C
Maximum Charging Current Limited	10A
Charging Voltage @ 25°C	Float: 2.25 V/cell, Temps coefficient -3 mV/°C Cycle: 2.35 V/cell
Contain Materials	ABS
Terminal	M6 and HPb59- T ₁
Capacity Affected by Temperature	105 % @ 40°C 85 % @ 0°C 60 % @ -20°C



IE6-GFM-50

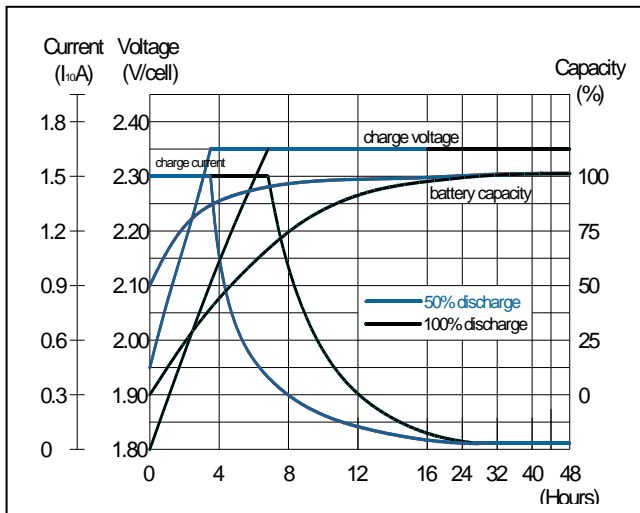
Constant Current Discharge Characteristics Unit: A (25°C)

F.V/Time	15min	30min	1hr	2hr	3hr	4hr	5hr	6hr	8hr	10hr
1.90V/cell	47.8	37.2	23.7	16.8	13.1	10.3	8.8	7.3	5.7	5.1
1.85V/cell	57.9	42.2	25.1	17.8	13.5	10.4	8.9	7.6	5.9	5.2
1.80V/cell	67.4	45.8	27.0	18.2	13.8	10.6	9.0	7.8	6.1	5.3
1.75V/cell	72.7	48.4	27.6	18.4	13.9	10.8	9.1	7.8	6.2	5.4
1.70V/cell	76.6	51.2	28.5	18.6	14.1	10.8	9.2	7.9	6.3	5.5
1.65V/cell	80.1	53.0	29.4	19.1	14.4	10.9	9.4	8.0	6.3	5.6

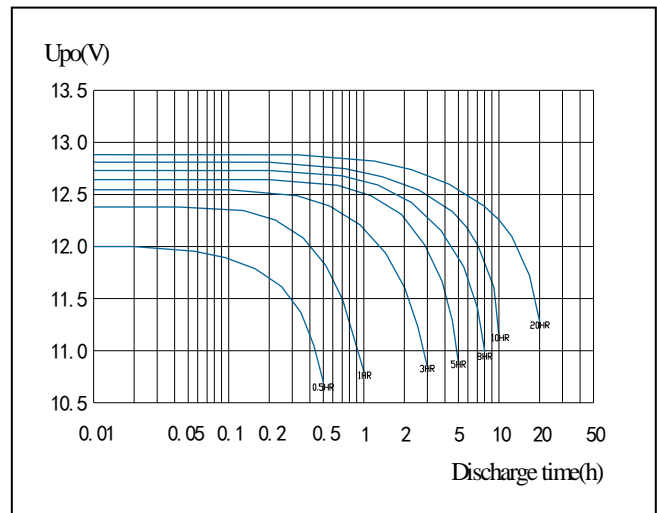
Constant Power Discharge Characteristics Unit: W/cell (25°C)

F.V/Time	15min	30min	1hr	2hr	3hr	4hr	5hr	6hr	8hr	10hr
1.90V/cell	91.9	71.9	46.6	33.4	26.3	20.7	17.8	14.8	11.6	10.3
1.85V/cell	108.9	80.4	48.5	34.9	26.9	20.8	18.0	15.4	11.8	10.5
1.80V/cell	124.7	85.0	51.4	35.3	27.1	21.1	18.0	15.5	12.2	10.6
1.75V/cell	132.3	88.9	52.0	35.5	27.3	21.3	18.1	15.6	12.4	10.7
1.70V/cell	136.1	92.7	52.9	35.7	27.6	21.4	18.3	15.8	12.5	11.0
1.65V/cell	138.0	94.9	53.9	36.4	28.1	21.5	18.6	15.9	12.6	11.2

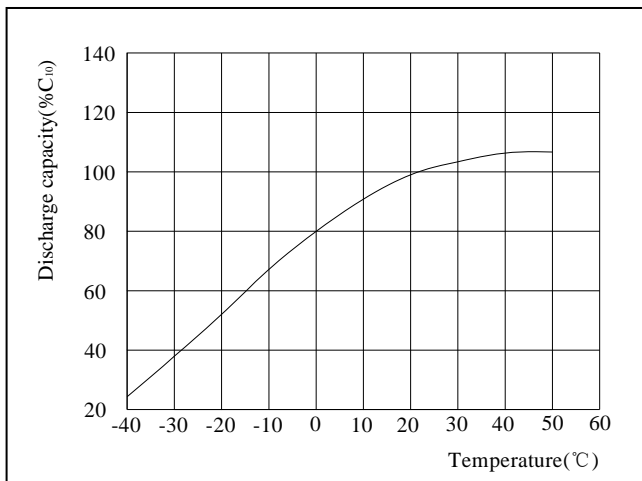
Constant Voltage Charge Characteristics



Discharge Performance at Different Discharge Rate



Capacity at Different Temperature



Curve of Storage Time and Self-discharge at Different Temperature

