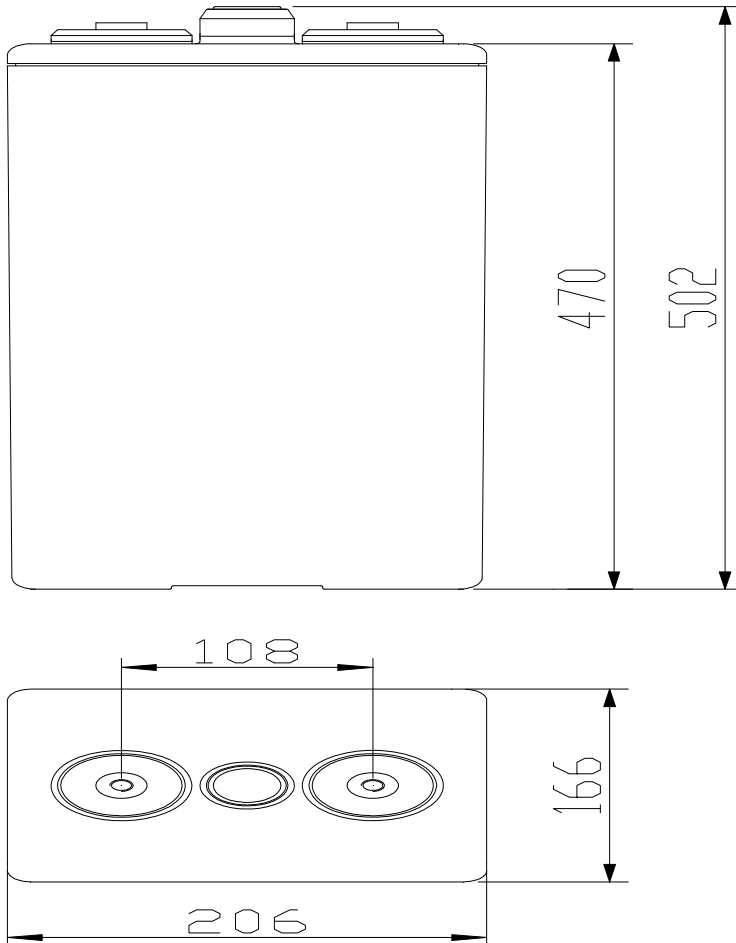


## GFMJ-500 (7 OPzV 500)



### Features

- VRLA gel battery with ABS case
- Design life 20 years
- Cyclic and standby duty
- High cycle service life
- Good temperature resistance performance
- Excellent deep cycle performance
- Superior low current discharge performance
- Tubular type positive plate
- PVC- SiO<sub>2</sub> separator
- Double sealed copper core lead terminals
- Reliable opening and closing safety valve

### Dimensions

- 206 x 166 x 502mm H

Rated voltage	2 V
Capacity@ 25°C	500Ah @ 10hr to 1.80V per cell
Weight	about 37.5kg ( 82.7 lb)
Reference internal resistance (charged)	About 0.38mΩ @ 25°C
Short-circuit current	About 5195A (0.1S reference value)
Max discharge current	1470A (5sec)
Self-discharge	< 20%/180 days @ 25°C
Temperature range	Application: -20°C ~ 50°C Storage: -20°C ~ 50°C Recommendation: 20°C ~ 30°C
Max charge current	98A
Charge voltage @ 25°C	Float charge: 2.23V, average charge: 2.35V Temperature compensation factor: -3 mV/°C
Terminal output	M10 copper terminal (HPb59-1)

Discharge current at different final voltages and different discharge rates unit: A (25°C)

	5min	10min	15min	30min	45min	1hr	1.5hr	2hr	3hr	4hr	5hr	8 hr	10 hr	20hr	100 hr	120hr
1.90	466	397	292	273	245	203	152	137	106	88	75	55	45	23	5.92	5.08
1.85	480	409	350	303	260	237	167	159	121	99	85	58	47	25.3	6.24	5.35
1.80	504	481	448	371	286	259	211	164	123	101	87	61	51	26.5	6.45	5.53
1.75	525	519	515	406	301	275	222	171	127	104	88	62	52	27.6	6.61	5.61

Discharge power at different final voltages and different discharge rates unit: W (25°C)

	5min	10min	15min	30min	45min	1hr	1.5hr	2hr	3hr	4hr	5hr	8 hr	10 hr	20hr	100 hr	120hr
1.90	838	714	458	418	370	321	288	255	199	166	143	104	89	46.0	11.8	10.1
1.85	874	744	499	445	405	365	324	282	221	184	158	112	97	50.0	12.3	10.5
1.80	918	875	731	628	560	492	413	334	262	214	180	126	105	53.0	12.6	10.8
1.75	950	940	833	698	623	547	453	358	274	222	185	128	107	54.3	12.7	10.8

