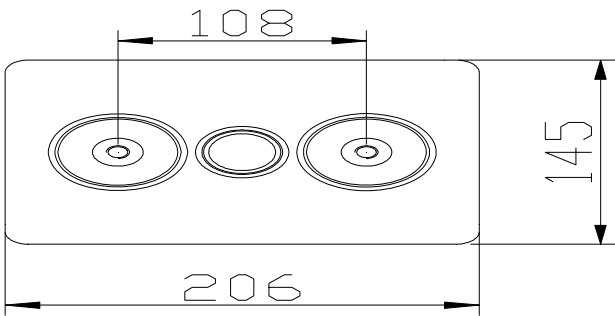
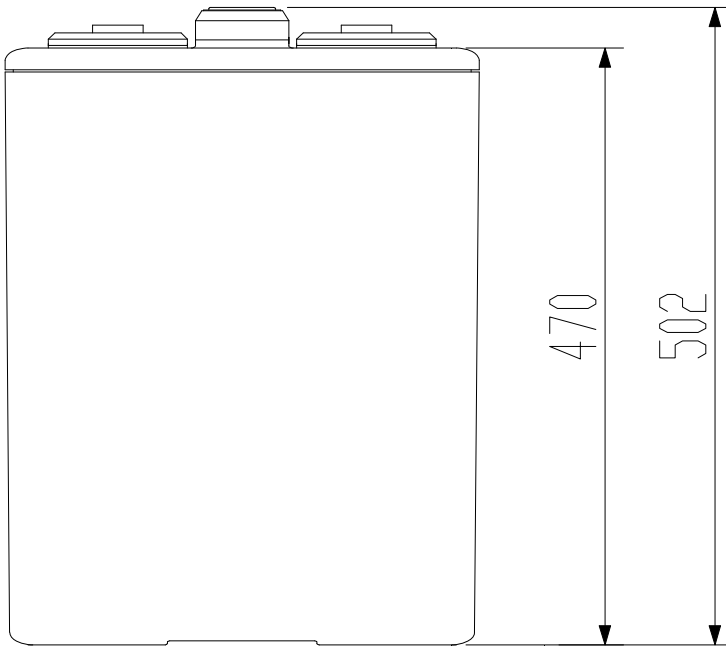


GFMJ-420

(6 OPzV 420)



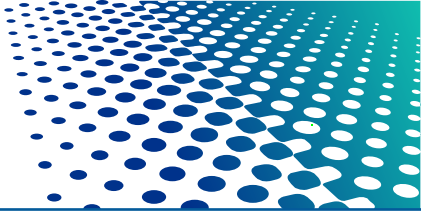
Features

- VRLA gel battery with ABS case
- Design life 20 years
- Cyclic and standby duty
- High cycle service life
- Good temperature resistance performance
- Excellent deep cycle performance
- Superior low current discharge performance
- Tubular type positive plate
- PVC- SiO₂ separator
- Double sealed copper core lead terminals
- Reliable opening and closing safety valve

Dimensions

- 206 x 124 x 502mm H

Rated voltage	2 V
Capacity@ 25°C	420Ah @ 10hr to 1.80V per cell
Weight	about 32.5kg (71.6 lb)
Reference internal resistance (charged)	About 0.42mΩ @ 25°C
Short-circuit current	About 4750A (0.1S reference value)
Max discharge current	1260A (5sec)
Self-discharge	< 20%/180 days @ 25°C
Temperature range	Application: -20°C ~ 50°C Storage: -20°C ~ 50°C Recommendation: 20°C ~ 30°C
Max charge current	84A
Charge voltage @ 25°C	Float charge: 2.23V, average charge: 2.35V Temperature compensation factor: -3 mV/°C
Terminal output	M10 copper terminal (HPb59-1)



GFMJ-420 (6 OPzV 420)

Discharge current at different final voltages and different discharge rates unit: A (25°C)

	5min	10min	15min	30min	45min	1hr	1.5hr	2hr	3hr	4hr	5hr	8 hr	10 hr	20hr	100 hr	120hr
1.90	363	313	250	234	210	174	130	117	91	75	64	47	39	19.67	5.13	4.35
1.85	420	368	303	260	223	191	143	128	97	80	68	49	41	21.63	5.4	4.58
1.80	432	412	384	318	245	222	181	141	105	86	74	52	43	22.7	5.61	4.76
1.75	450	445	442	348	258	236	199	146	109	89	76	53	45	23.6	5.78	4.90

Discharge power at different final voltages and different discharge rates unit: W (25°C)

	5min	10min	15min	30min	45min	1hr	1.5hr	2hr	3hr	4hr	5hr	8 hr	10 hr	20hr	100 hr	120hr
1.90	718	612	393	358	317	275	246	217	171	142	122	89	77	39.3	10.2	8.70
1.85	749	638	429	382	348	313	278	242	190	157	135	96	83	42.8	10.6	9.07
1.80	787	750	626	539	480	420	353	286	223	183	154	108	90	45.5	11.0	9.33
1.75	814	806	715	599	534	469	389	308	234	191	159	110	93	47.5	11.1	9.46

