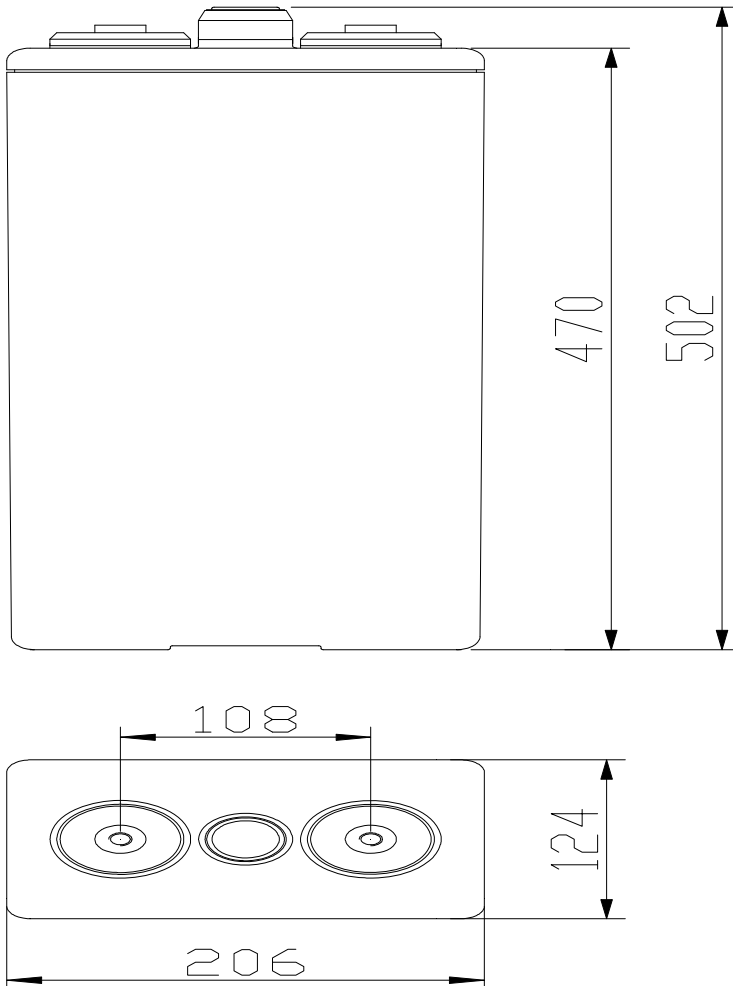


GFMJ-350 (7OPzV 350)



Features

- VRLA gel battery with ABS case
- Design life 20 years
- Cyclic and standby duty
- High cycle service life
- Good temperature resistance performance
- Excellent deep cycle performance
- Superior low current discharge performance
- Tubular type positive plate
- PVC- SiO₂ separator
- Double sealed copper core lead terminals
- Reliable opening and closing safety valve

Dimensions

- 206 x 124 x 502mm H

Rated voltage	2 V
Capacity @ 25°C	350Ah @ 10hr to 1.80V per cell
Weight	about 27.5kg (60.5 lb)
Reference internal resistance (charged)	About 0.46mΩ @ 25°C
Short-circuit current	About 4305A (0.1S reference value)
Max discharge current	1050A (5sec)
Self-discharge	< 20%/180 days @ 25°C
Temperature range	Application: -20°C ~ 50°C Storage: -20°C ~ 50°C Recommendation: 20°C ~ 30°C
Max charge current	70A
Charge voltage @ 25°C	Float charge: 2.23V, average charge: 2.35V Temperature compensation factor: -3 mV/°C
Terminal output	M10 copper terminal (HPb59-1)

Discharge current at different final voltages and different discharge rates unit: A (25°C)

	5min	10min	15min	30min	45min	1hr	1.5hr	2hr	3hr	4hr	5hr	8 hr	10 hr	20hr	100 hr	120hr
1.90	303	261	208	191	175	152	120	103	76	63	53	39	33	16.38	4.24	3.61
1.85	360	336	275	227	188	174	131	107	81	66	57	41	34	18.01	4.47	3.81
1.80	362	344	320	265	204	185	151	117	88	72	62	43	37	18.9	4.64	3.96
1.75	375	371	368	290	215	198	166	132	91	74	63	44	38	19.8	4.78	4.08

Discharge power at different final voltages and different discharge rates unit: W (25°C)

	5min	10min	15min	30min	45min	1hr	1.5hr	2hr	3hr	4hr	5hr	8 hr	10 hr	20hr	100 hr	120hr
1.90	599	510	362	319	284	249	216	182	142	119	102	74	64	32.7	8.48	7.22
1.85	624	531	405	354	317	279	241	202	158	131	112	80	69	35.6	8.85	7.54
1.80	656	625	523	450	401	351	295	239	187	152	128	90	75	38.5	9.09	7.76
1.75	678	672	595	499	445	391	324	257	196	158	132	95	78	40.3	9.23	7.87

