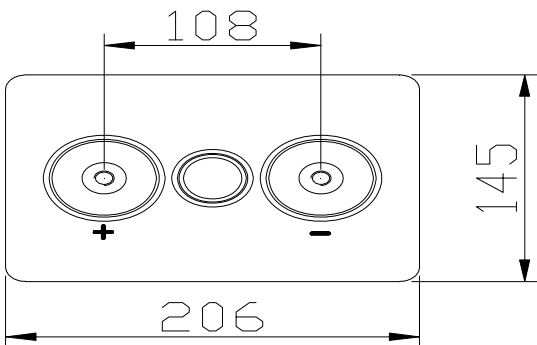
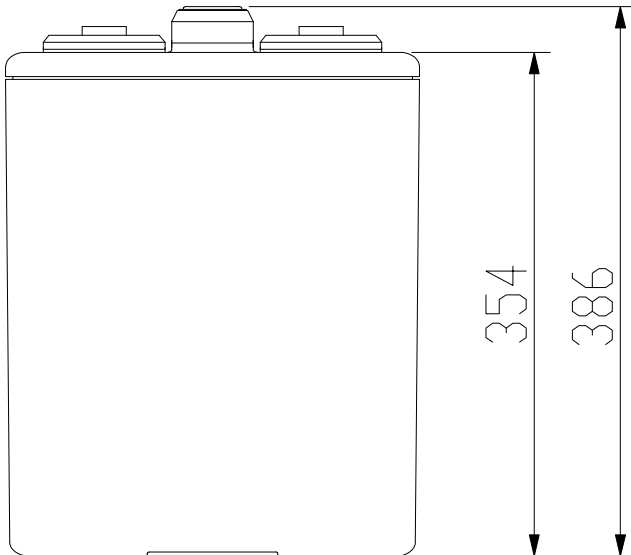


GFMJ-300 (6 OPzV 300)



Features

- VRLA gel battery with ABS case
- Design life 20 years
- Cyclic and standby duty
- High cycle service life
- Good temperature resistance performance
- Excellent deep cycle performance
- Superior low current discharge performance
- Tubular type positive plate
- PVC- SiO₂ separator
- Double sealed copper core lead terminals
- Reliable opening and closing safety valve

Dimensions

- 206 x 145 x 386mm H

Rated voltage	2 V
Capacity@ 25°C	300Ah @ 10hr to 1.80V per cell
Weight	about 26kg (57.3 lb)
Reference internal resistance (charged)	About 0.47mΩ @ 25°C
Short-circuit current	About 4238A (0.1S reference value)
Max discharge current	900A (5sec)
Self-discharge	< 20%/180 days @ 25°C
Temperature range	Application: -20°C ~ 50°C Storage: -20°C ~ 50°C Recommendation: 20°C ~ 30°C
Max charge current	60A
Charge voltage @ 25°C	Float charge: 2.23V. average charge: 2.35V Temperature compensation factor: -3 mV/°C
Terminal output	M10 copper terminal (HPb59-1)

Discharge current at different final voltages and different discharge rates unit: A (25°C)

	5min	10min	15min	30min	45min	1hr	1.5hr	2hr	3hr	4hr	5hr	8 hr	10 hr	20hr	100 hr	120hr
1.90	273	232	221	176	156	134	102	87	64	52	45	31	27	14.04	3.64	3.09
1.85	367	299	270	208	167	141	112	89	68	55	48	33	28	15.44	3.84	3.26
1.80	376	342	318	243	197	158	117	97	77	59	50	35	31	16.21	3.99	3.39
1.75	406	380	358	259	216	166	127	108	79	60	52	37	33	16.85	4.11	3.49

Discharge power at different final voltages and different discharge rates unit: W (25°C)

	5min	10min	15min	30min	45min	1hr	1.5hr	2hr	3hr	4hr	5hr	8 hr	10 hr	20hr	100 hr	120hr
1.90	540	454	343	304	271	237	199	160	125	102	87	62	53	28.0	7.28	6.18
1.85	557	472	384	337	301	265	221	177	135	113	95	67	57	30.5	7.60	6.45
1.80	579	566	516	420	367	314	260	205	157	128	108	75	63	31.7	7.82	6.64
1.75	640	625	585	464	402	340	279	217	162	131	109	76	65	32.5	7.93	6.74

