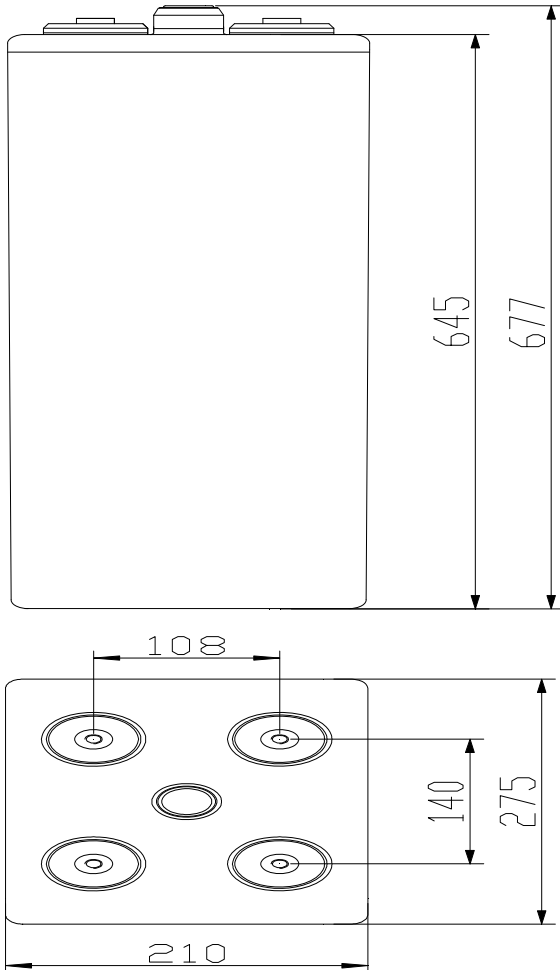


GFMJ-1200 (12 OPzV 1200)



Features

- VRLA gel battery with ABS case
- Design life 20 years
- Cyclic and standby duty
- High cycle service life
- Good temperature resistance performance
- Excellent deep cycle performance
- Superior low current discharge performance
- Tubular type positive plate
- PVC- SiO₂ separator
- Double sealed copper core lead terminals
- Reliable opening and closing safety valve

Dimensions

- 210 x 275 x 677mm H

Rated voltage	2 V
Capacity@ 25°C	1200Ah @ 10hr to 1.80V per cell
Weight	about 91kg (200.6 lb)
Reference internal resistance (charged)	About 0.24mΩ @ 25°C
Short-circuit current	About 8314A (0.1S reference value)
Max discharge current	3600A (5sec)
Self-discharge	< 20%/180 days @ 25°C
Temperature range	Application: -20°C ~ 50°C Storage: -20°C ~ 50°C Recommendation: 20°C ~ 30°C
Max charge current	240A
Charge voltage @ 25°C	Float charge: 2.23V, average charge: 2.35V Temperature compensation factor: -3 mV/°C
Terminal output	M10 copper terminal (HPb59-1)

GFMJ-1200 (12 OPzV 1200)

Discharge current at different final voltages and different discharge rates unit: A (25°C)

	5min	10min	15min	30min	45min	1hr	1.5hr	2hr	3hr	4hr	5hr	8 hr	10 hr	20hr	100 hr	120hr
1.90	1026	899	605	588	564	468	372	330	258	216	185	129	107	55.5	14.5	12.3
1.85	1082	945	706	660	598	516	408	354	274	228	195	134	112	61.0	15.2	12.9
1.80	1159	1144	974	840	672	624	516	399	300	245	208	144	125	64.1	15.8	13.4
1.75	1206	1167	1117	936	746	672	538	417	312	252	211	146	128	66.7	16.2	13.7

Discharge power at different final voltages and different discharge rates unit: W (25°C)

	5min	10min	15min	30min	45min	1hr	1.5hr	2hr	3hr	4hr	5hr	8 hr	10 hr	20hr	100 hr	120hr
1.90	1944	1685	812	740	707	674	637	600	493	417	359	261	225	111.	29.0	24.6
1.85	2009	1755	938	824	768	711	694	677	553	463	397	284	245	124.	30.2	25.6
1.80	2132	2103	1542	1366	1247	1128	976	823	656	537	455	320	274	137.	30.9	26.2
1.75	2205	2134	1776	1546	1412	1278	1086	894	694	568	475	326	276	138.	31.2	26.5

