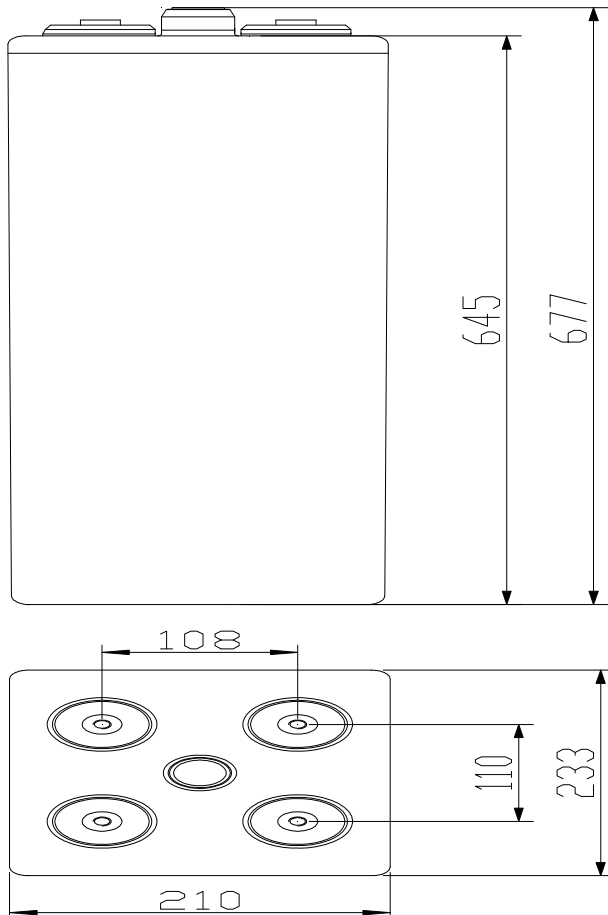


## GFMJ-1000 (10 OPzV 1000)



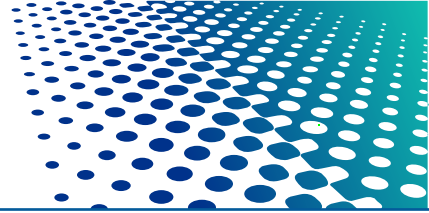
### Features

- VRLA gel battery with ABS case
- Design life 20 years
- Cyclic and standby duty
- High cycle service life
- Good temperature resistance performance
- Excellent deep cycle performance
- Superior low current discharge performance
- Tubular type positive plate
- PVC- SiO<sub>2</sub> separator
- Double sealed copper core lead terminals
- Reliable opening and closing safety valve

### Dimensions

- 210 x 233 x 677mm H

Rated voltage	2 V
Capacity@ 25°C	1000Ah @ 10hr to 1.80V per cell
Weight	about 77kg ( 169.8 lb)
Reference internal resistance (charged)	About 0.27mΩ @ 25°C
Short-circuit current	About 7439A (0.1S reference value)
Max discharge current	3000A (5sec)
Self-discharge	< 20%/180 days @ 25°C
Temperature range	Application: -20°C ~ 50°C Storage: -20°C ~ 50°C Recommendation: 20°C ~ 30°C
Max charge current	200A
Charge voltage @ 25°C	Float charge: 2.23V, average charge: 2.35V Temperature compensation factor: -3 mV/°C
Terminal output	M10 copper terminal (HPb59-1)



# GFMJ-1000

## (10 OPzV 1000)

Discharge current at different final voltages and different discharge rates unit: A (25°C)

	5min	10min	15min	30min	45min	1hr	1.5hr	2hr	3hr	4hr	5hr	8 hr	10 hr	20hr	100 hr	120hr
1.90	855	749	504	490	470	390	310	275	215	180	154	107	89	46.38	12.10	10.26
1.85	902	787	588	550	498	430	340	295	228	190	162	112	93	51.0	12.7	10.8
1.80	966	953	812	700	560	520	400	332	250	204	173	120	102	53.5	13.1	11.1
1.75	1005	972	931	780	621	560	418	347	260	210	176	122	103	55.7	13.5	11.4

Discharge power at different final voltages and different discharge rates unit: W (25°C)

	5min	10min	15min	30min	45min	1hr	1.5hr	2hr	3hr	4hr	5hr	8 hr	10 hr	20hr	100 hr	120hr
1.90	1620	1404	776	696	661	626	563	500	411	347	298	217	188	102.	24.2	20.5
1.85	1674	1462	895	781	721	661	613	565	430	386	331	237	204	111.	25.2	21.3
1.80	1776	1753	1284	1138	1039	940	813	685	547	447	378	267	227	115.	25.8	21.8
1.75	1837	1778	1480	1288	1177	1065	905	745	579	473	395	271	229	117.	26.0	22.1

