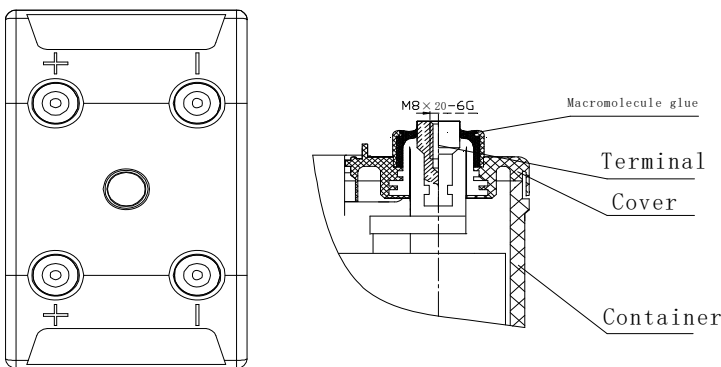
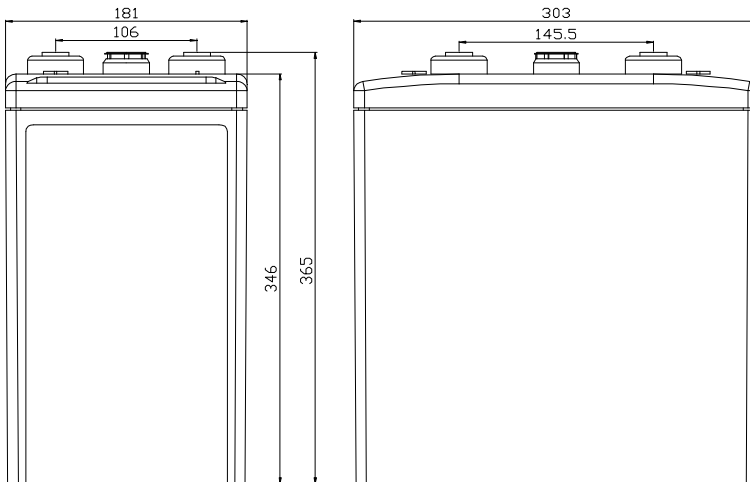


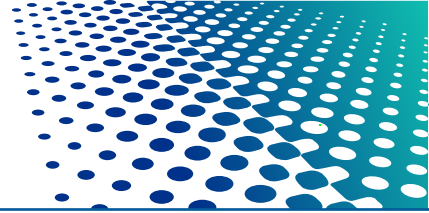
Valve-regulated Lead Acid Batteries GFM series are widely utilized as standby power supply for communication and signal system such as telecommunication, mobile station, and railway etc., backup power supply for UPS and emergency illumination.

The design life of the GFM-800 is 15 years.

GFM-800



Normal Voltage	2V
Capacity	800 Ah @ 10hr to 1.80V per cell @ 25°C
Weight	Approx. 48 kg (105.6 lbs)
Internal Resistance (full charged)	Approx. 0.37mΩ @ 25°C
Maximum Discharge Current	4960A (5sec)
Self Discharge @ 25°C	No more than 3 % after 30 days storage
Operating Temperature Range	Discharge: -40°C ~ 50°C Charge: -20°C ~ 45°C Storage: -20°C ~ 40°C
Recommended Operating Temperature	15°C ~ 25°C
Maximum Charging Current Limited	160A
Charging Voltage @ 25°C	Float: 2.23 V, Temps coefficient -3 mV/°C Cycle: 2.35 V
Contain Materials	ABS
Terminal	M8 and HPb59-1



GFM-800

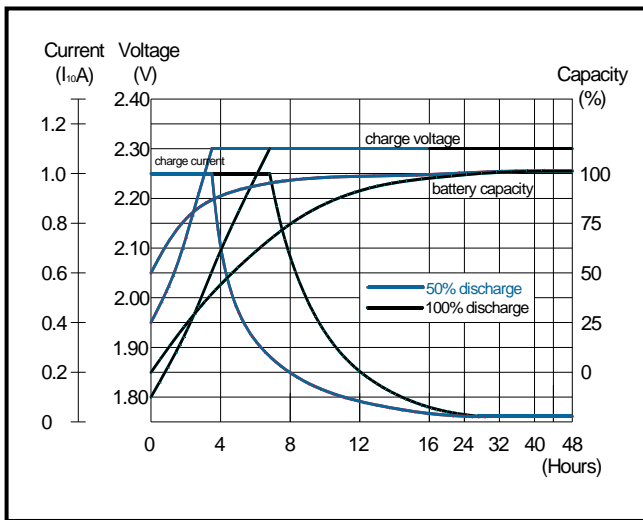
Constant Current Discharge Characteristics Unit: A (25°C)

F.V/Time	1h	1.5h	2h	3h	4h	5h	6h	8h	10h
1.90V	345	287	230	172.6	145.2	119.2	102.0	87.7	71.5
1.85V	412	325	247	189.6	154.8	128.8	109.8	93.1	77.4
1.80V	440	335	262	200.9	161.5	136.5	120.6	95.7	80.4
1.75V	467	351	274	206.6	164.4	139.4	122.5	97.6	81.6
1.70V	486	367	283	210.4	167.3	141.3	124.5	98.4	82.2
1.65V	499	374	288	212.3	168.3	142.3	125.5	98.8	82.6

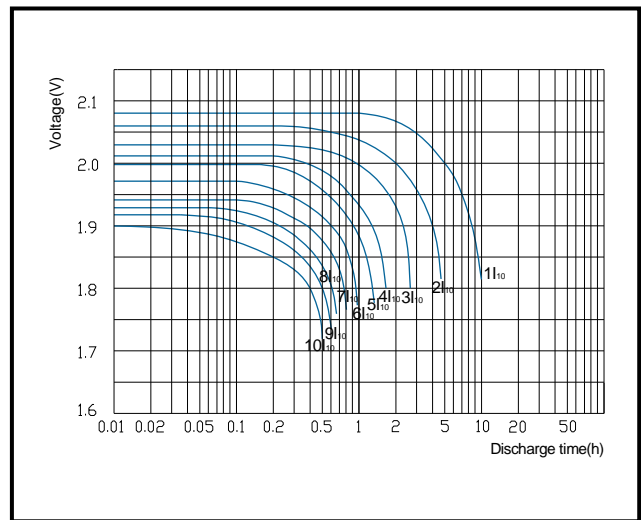
Constant Power Discharge Characteristics Unit: W/cell (25°C)

F.V/Time	1h	1.5h	2h	3h	4h	5h	6h	8h	10h
1.90V	678	565	456	345.3	292.3	240.4	207.1	177.5	145.3
1.85V	796	633	483	376.4	310.6	259.6	221.7	187.1	156.0
1.80V	837	648	508	396.2	320.2	273.1	241.3	191.9	161.3
1.75V	880	673	528	404.7	326.0	276.9	245.2	195.2	163.1
1.70V	904	696	542	410.4	329.8	279.8	247.6	196.5	164.5
1.65V	917	704	550	413.2	332.7	281.7	248.9	196.9	165.0

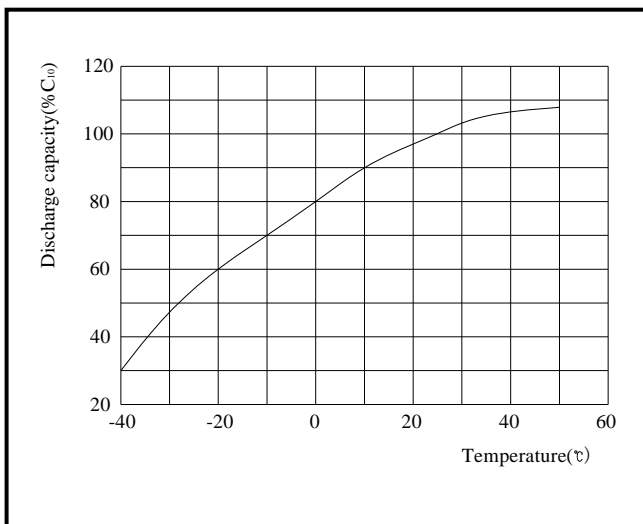
Constant Voltage Charge Characteristics



Discharge Performance at Different Discharge Rate



Capacity at Different Temperature



Curve of Storage Time and Self-discharge at Different Temperature

