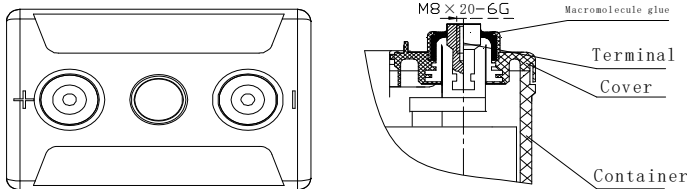
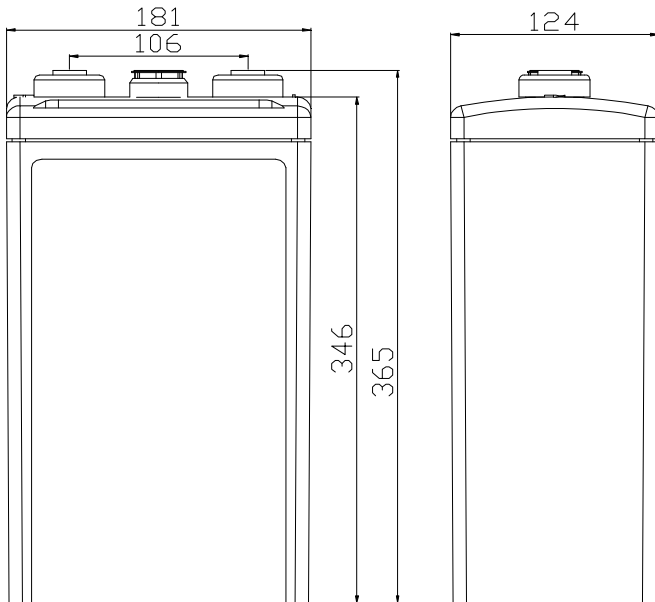


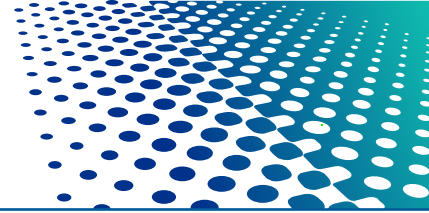
Valve-regulated Lead Acid Batteries GFM series are widely utilized as standby power supply for communication and signal system such as telecommunication, mobile station, and railway etc., backup power supply for UPS and emergency illumination.

The design life of the GFM-300 is 15 years.

## GFM-300



Normal Voltage	2V
Capacity	300 Ah @ 10hr to 1.80V per cell @ 25°C
Weight	Approx. 18.5 kg (40.7 lbs)
Internal Resistance (full charged)	Approx. 0.60mΩ @ 25°C
Maximum Discharge Current	1860A (5sec)
Self Discharge @ 25°C	No more than 3 % after 30 days storage
Operating Temperature Range	Discharge: -40°C ~ 50°C Charge: -20°C ~ 45°C Storage: -20°C ~ 40°C
Recommended Operating Temperature	15°C ~ 25°C
Maximum Charging Current Limited	60A
Charging Voltage @ 25°C	Float: 2.23 V, Temps coefficient -3 mV/°C Cycle: 2.35 V
Contain Materials	ABS
Terminal	M8 and HPb59-1



# GFM-300

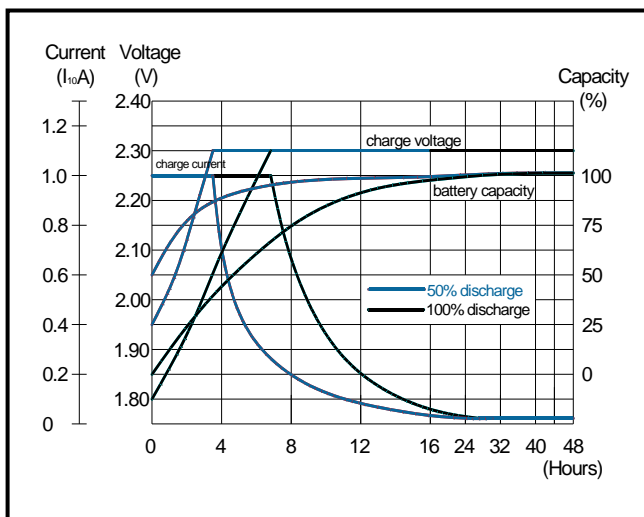
Constant Current Discharge Characteristics Unit: A (25°C)

F.V/Time	1h	1.5h	2h	3h	4h	5h	6h	8h	10h
1.90V	130	107	86	64.2	54.4	44.6	38.3	32.9	26.8
1.85V	155	122	92	70.8	58.2	48.5	41.4	34.9	29.0
1.80V	165	126	98	75.5	60.4	51.3	45.2	35.9	30.2
1.75V	175	131	103	77.4	61.6	52.2	46.0	36.6	30.6
1.70V	182	137	106	79.2	62.6	52.9	46.6	36.9	30.9
1.65V	187	140	109	80.2	63.2	53.2	46.9	37.0	31.0

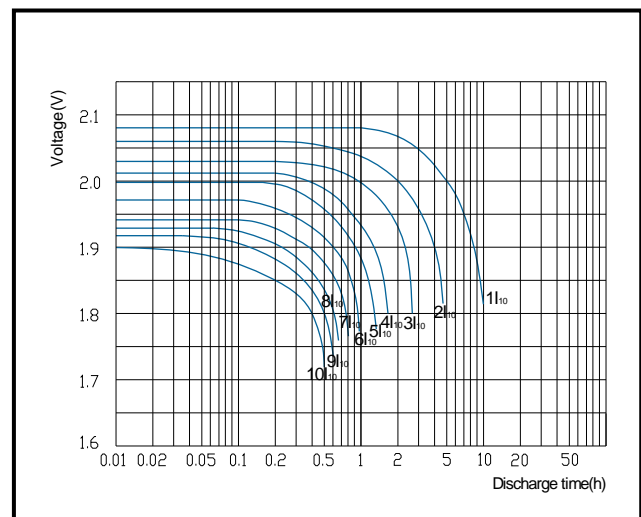
Constant Power Discharge Characteristics Unit: W/cell (25°C)

F.V/Time	1h	1.5h	2h	3h	4h	5h	6h	8h	10h
1.90V	255	212	171	129.6	109.8	90.1	77.6	66.5	54.5
1.85V	299	238	182	141.2	116.3	97.2	83.1	70.2	58.5
1.80V	314	243	190	148.5	120.2	102.3	90.5	72.0	60.5
1.75V	330	253	198	151.7	122.2	103.9	92.0	73.3	61.2
1.70V	339	261	203	154.1	123.8	105.1	92.8	73.7	61.7
1.65V	344	264	206	155.0	124.6	105.6	93.3	73.9	61.8

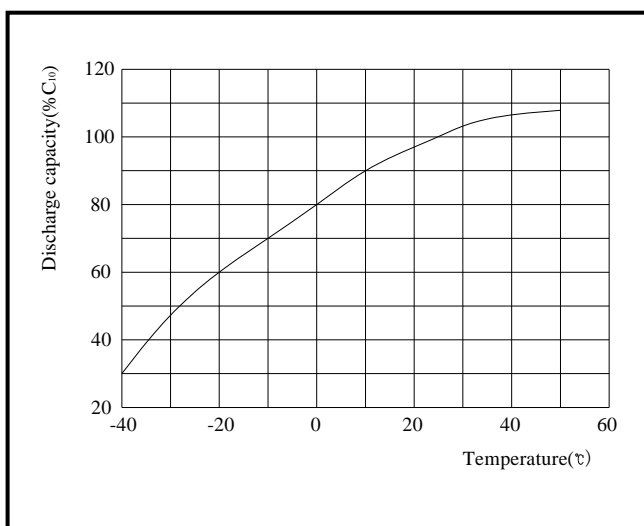
Constant Voltage Charge Characteristics



Discharge Performance at Different Discharge Rate



Capacity at Different Temperature



Curve of Storage Time and Self-discharge at Different Temperature

