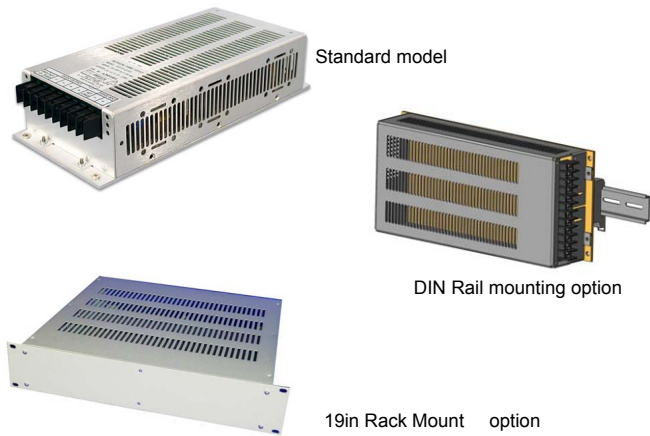


# DCW300-500 SERIES

DC/DC Converters Single Output: 300 ~ 500 Watts



## Features

- Wide range of input / output voltage combinations
- 300 and 500 watt power options
- Convection cooled: No fans
- **N+1** redundancy : standard
- Output Fail alarm: standard
- Fully isolated input – output
- Over voltage & short circuit protection
- MTBF > 200,000hrs
- Specials input / output combinations on request.
- Any output from 12vdc ~ 120vdc possible

## Specifications

<b>Input Voltage</b>	24VDC ( 20 ~ 30 ) 48VDC ( 38 ~ 60 ) 110VDC ( 88 ~ 135 )
	• Other voltages on request
<b>Input Protection</b>	Reverse polarity protection. Inrush current limiting Thermal Fuse
<b>Isolation</b>	Input - Output 1500 vdc Input – Chassis 1500 vdc Output – Chassis 500 vdc
	• Other options on request
<b>Efficiency</b>	Model dependent , typically 80%
<b>Switching Freq.</b>	50kHz
<b>Output voltage</b>	Any voltage from 12 to 120VDC
<b>Output Power</b>	DCW300: 300 watts DCW500: 500 watts
<b>Voltage adjustment</b>	±5.0% ( other options on request )
<b>Parallel Operation</b>	Built-in isolation diode allows maximum two units to be connected in parallel for <b>N+1</b> redundancy .

<b>Line Regulation</b>	±1% over input range
<b>Load Regulation</b>	±2% from no load to full load.
<b>Output Protection</b>	• Over voltage protection • Current limiting with hiccup mode. • Thermal protection
<b>Short Circuit Protection</b>	Current limiting with hiccup mode
<b>EMI</b>	EN55022 class A
<b>Immunity</b>	EN61000-4
<b>Output Ripple &amp; Noise</b>	1% pk-pk maximum of output voltage setting
<b>Operating Temp.</b>	0°C to +50°C at full load. Derate 2.5% per °C from 50° -70°C.
<b>Humidity</b>	10-95% non-condensing ( Conformal Coating optional )
<b>Cooling</b>	Conduction cooled or Convection cooled.
<b>Output Alarm</b>	Built-in Voltage free relay contacts
<b>Terminals</b>	Screw- type terminal block ( other options on request )
<b>Dimensions &amp; Weight</b>	DCW300: 290 x 132 x 62mm 2Kg DCW500: 352 x 132 x 62mm 2.5Kg

Model	Input V	Output		Power W
		V	A	
DCW300-24-12FT	24V	12V	25A	300W
DCW300-24-15FT	24V	15V	20A	300W
DCW300-24-24FT	24V	24V	12.5A	300W
DCW300-24-48FT	24V	48V	6.2A	300W
DCW300-24-110FT	24V	110V	2.7A	300W
DCW300-48-12FT	48V	12V	25A	300W
DCW300-48-15FT	48V	15V	20A	300W
DCW300-48-24FT	48V	24V	12.5A	300W
DCW300-48-48FT	48V	48V	6.2A	300W
DCW300-48-110FT	48V	110V	2.7A	300W
DCW300-110-12FT	110V	12V	25A	300W
DCW300-110-15FT	110V	15V	20A	300W
DCW300-110-24FT	110V	24V	12.5A	300W
DCW300-110-48FT	110V	48V	6.2A	300W

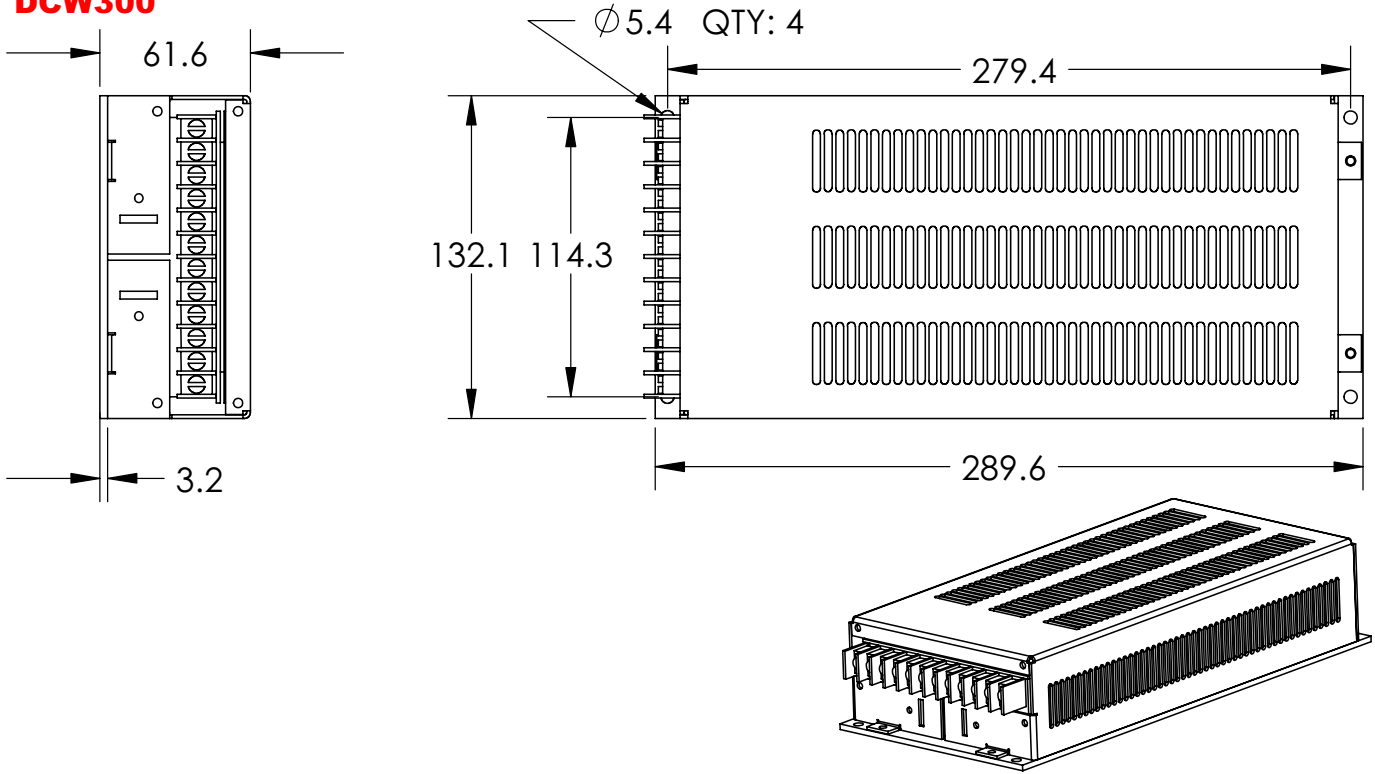
Model	Input V	Output		Power W
		V	A	
DCW500-24-12FT	24V	12V	40A	480W
DCW500-24-15FT	24V	15V	33A	500W
DCW500-24-24FT	24V	24V	20A	500W
DCW500-24-48FT	24V	48V	10A	500W
DCW500-24-110FT	24V	110V	4.5A	500W
DCW500-48-12FT	48V	12V	40A	500W
DCW500-48-15FT	48V	15V	33A	500W
DCW500-48-24FT	48V	24V	20A	500W
DCW500-48-48FT	48V	48V	10A	500W
DCW500-48-110FT	48V	110V	4.5A	500W
DCW500-110-12FT	110V	12V	40A	500W
DCW500-110-15FT	110V	15V	33A	500W
DCW500-110-24FT	110V	24V	20A	500W
DCW500-110-48FT	110V	48V	10A	500W

REV (06/11 -13 )

# DCW300-500 SERIES

DC/DC Converters Single Output: 300 ~ 500 Watts

## DCW300



## DCW500

