



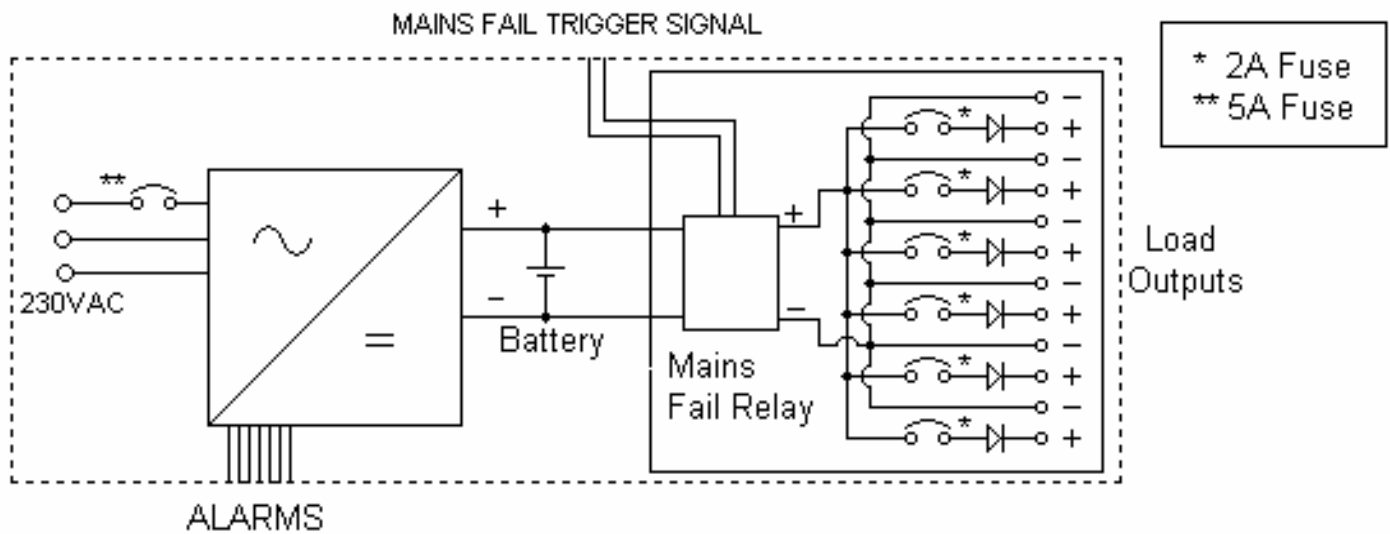
Dimensions: 500H x 495W x 245mm

CAB 150 DESCRIPTION

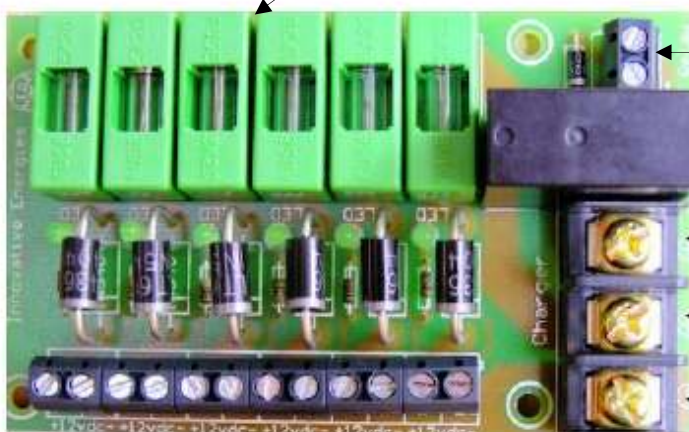
CAB150 comprises of a **SR250E12TFSL** boost charger, housed in a security cabinet with the back up battery in the bottom of the cabinet.

Originally designed for use on closed circuit TV and security alarm systems on bank premises but may be used in any situation requiring secure uninterruptible DC power.

A boost charger is used to ensure fast recharging of the battery after a mains power failure.



CODE FOR DISTRIBUTION BOARD ONLY: SPCNBD-SMDC



N/C OR N/O INPUT TRIGGER

LINK SELECTION FOR MAINS FAIL:

* Normally Close (N/C)

POS INPUT FROM CHARGER

* Normally Open (N/O)

NEG INPUT FROM CHARGER