

- Multi function alarm card
- 2 x DC adjustable high or low volt alarms - independently adjustable
- Optional earth fault alarm when either + or - rail > specified value to earth
- Available in 3 voltage levels
- Alarm relay output for each channel (contacts rated 30VDC 1A)
- Enclosure & DIN clips both optional

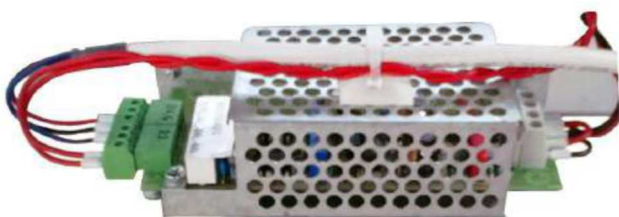
### COMMON ORDERING CODES (OTHER COMBINATIONS AVAILABLE ON

MODEL	Input 1		Input 2		Input 3 - Earth Fault	
	DC Low	DC High	DC Low	DC High	Input	Trip at
+ALARM/LL/LL	10-16V	-	10-16V	-	-	-
+ALARM/LH/LL	-	10-16V	10-16V	-	-	-
+ALARM/LL/LL/LE	10-16V	-	10-16V	-	10-16V	-
+ALARM/LH/LL/LE	-	10-16V	10-16V	-	10-16V	13.8V/2.5mA
+ALARM/LE	-	-	-	-	10-16V	-
+ALARM/ML/ML	20-60V	-	20-60V	-	-	-
+ALARM/MH/ML	-	20-60V	20-60V	-	-	-
+ALARM/ML/ML/ME	20-60V	-	20-60V	-	20-60V	27.6V/ 1.8mA
+ALARM/MH/ML/ME	-	20-60V	20-60V	-	20-60V	55.2V/ 3.6mA
+ALARM/ME	-	-	-	-	20-60V	-
+ALARM/HL/HL	61-150V	-	61-150V	-	-	-
+ALARM/HH/HL	-	61-150V	61-150V	-	-	-
+ALARM/HL/HL/HE	61-150V	-	61-150V	-	61-150V	-
+ALARM/HH/HL/HE	-	61-150V	61-150V	-	61-150V	124V/ 3.2mA
+ALARM/HE	-	-	-	-	61-150V	-

### DIMENSIONS

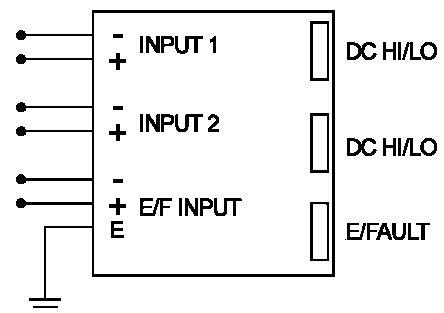
Printed circuit board: 125 L x 53 x 15mm

Optional enclosure (+ALARM/COVER): 125L x 57 x 32mm



Mounting holes: 4 x M3, 115 x 30mm

### CONNECTION LAYOUT



**ALARM RELAY STATUS ON FAULT CONDITION:**

**DC HIGH/LOW:** De-energised

**EARTH FAULT:** Energised

13/07/2017