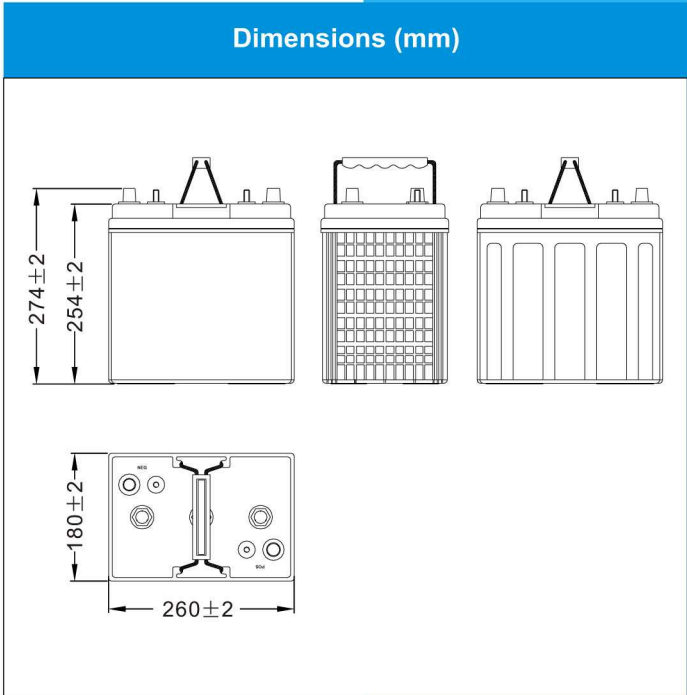




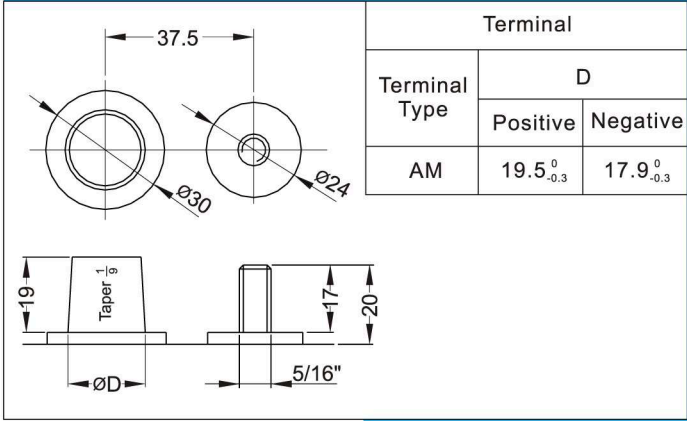
AC6-210 (6V 210Ahr) Golf Cart Battery



Physical Specification (mm)

Nominal Voltage	6V	
Nominal Capacity(20HR)	210Ah	
Nominal Capacity(5HR)	185Ah	
Dimension	Length	$260 \pm 2\text{mm}(10.24\text{inches})$
	Width	$180 \pm 2\text{mm}(7.09\text{inches})$
	Container Height	$254 \pm 2\text{mm}(10.00\text{inches})$
	Total Height(with Terminal)	$274 \pm 2\text{mm}(10.79\text{inches})$
Dry Weight	/	
Wet Weight	Approx 30.0Kg(66.1lbs)	
Acid	$1.310 \pm 0.015\text{g/cm}^3(25\text{C})$	
Standard Terminal	AM	
Hold-Down	/	
Cell plate qty	/	
Case	Black-Material	
Cover	Black-Material	
Handle	Black-Material	

Standard Terminal (mm)



Electrical Specification

Rated Capacity	20 hour rate(10.50A)	210Ah
	5 hour rate(37A)	185Ah
Reserve Capacity	25Amps	475min
Reserve Capacity	75Amps	124min

Discharge Characteristics(25°C,70°F)

